

MILLENIUM[®]

CORRADI USA NEW FRAME COLORS (matte finish)

2016-2017



BEACH SAND



DUNE



GRANITE



CORTEN



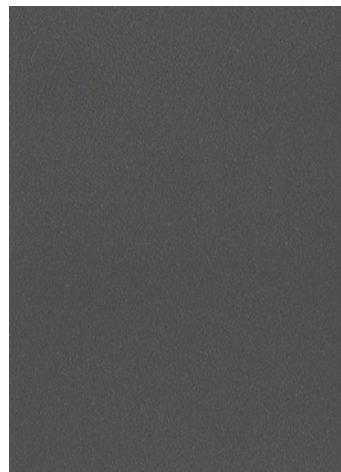
URBAN BRONZE



QUARTZ WHITE



GLACIER

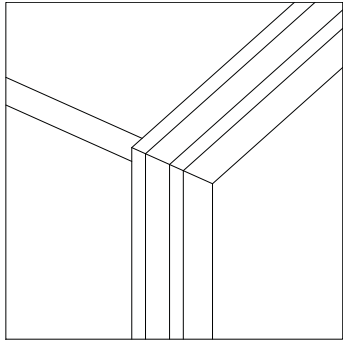


ANTHRACITE



CARBON

MILLENIUM® DETAILS



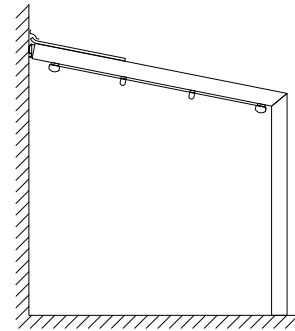
Millenium® is a retractable covering system custom made to protect against sun and rain (not suitable to support snow), fixed to a supporting wall. It consists of an aluminum structure and a folding canvas. Pitched versions have guaranteed wind resistance of grade 8 on the Beaufort scale while flat versions have grade 6 resistance (above class 3 - UNI EN 13561). The canvas is made from exclusive Corradi Eclissi* - a laminated PVC blackout fabric (available in white, grey, and ivory) that has a surface embossed with a weft effect. This canvas is supported by intermediate supporting tubes (section: 1.6 x 2 inches) and terminals (section: 3.2 x 2 inches) set parallel to

one another approximately every 24 inches (pitched version) and approximately every 20 inches (flat version). The canvas slides on support runners (section 2 x 3.6 inches) on 6 asymmetrical wheels with a capacity over 1,000 lbs. each. The toothed drive belt contains stainless steel cables and resists a saline environment; the tensile strength is of 2000 lbs. at break; the drive belt is inserted in each runner, controlled by the drive pulley and a single drive shaft and guarantees the smooth movement of the canvas.

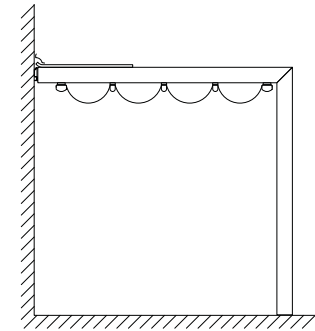
The Millenium® system is operated by a motor, controlled by a radio remote. Aluminum tubular structure 1.6 x 4.7 inches, is available standard in white or clear anodized aluminum. The support tubes are available in white, ivory, and grey. Painted with certified Qualicoat cycle epoxy powders with the exception of clear anodized aluminum, obtained through a chemical anodizing process. All hardware in AISI 304 steel and 10/10 aluminum protective covers in the same color as the structure.



PITCHED
Version



FLAT
Version



MAXIMUM DIMENSIONS inches

	<i>Width</i>	<i>Projection</i>
2 runner	177	232
3 runner	354	232
4 runner	512	232

**MAXIMUM DIMENSIONS inches
standard slack**

	<i>Width</i>	<i>Projection</i>
2 runner	138	236
3 runner	276	236
4 runner	413	236

**MAXIMUM DIMENSIONS inches
trapezoidal slack**

	<i>Width</i>	<i>Projection</i>
2 runner	197	236
3 runner	315	236
4 runner	472	236

crossbar 1.6 x 4.7 for protective cover support

modular awning protective cover

motor

canvas

runner

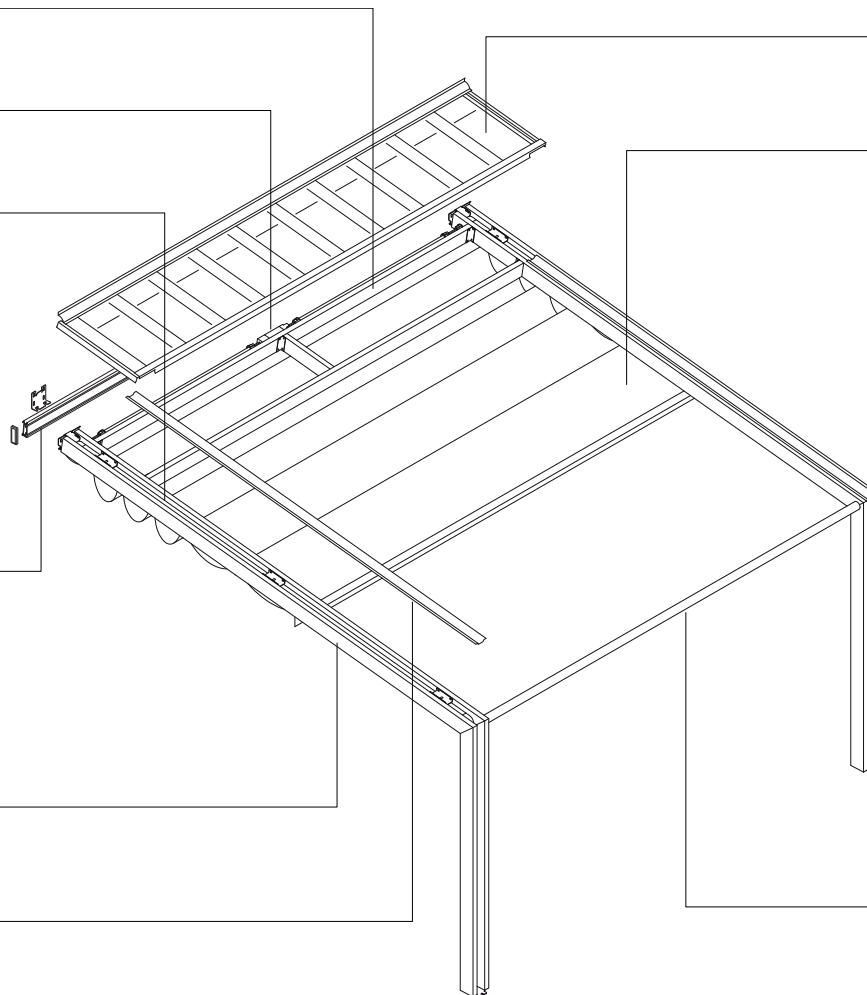
wall beam (option)

pillar pair 1.6 x 4.7

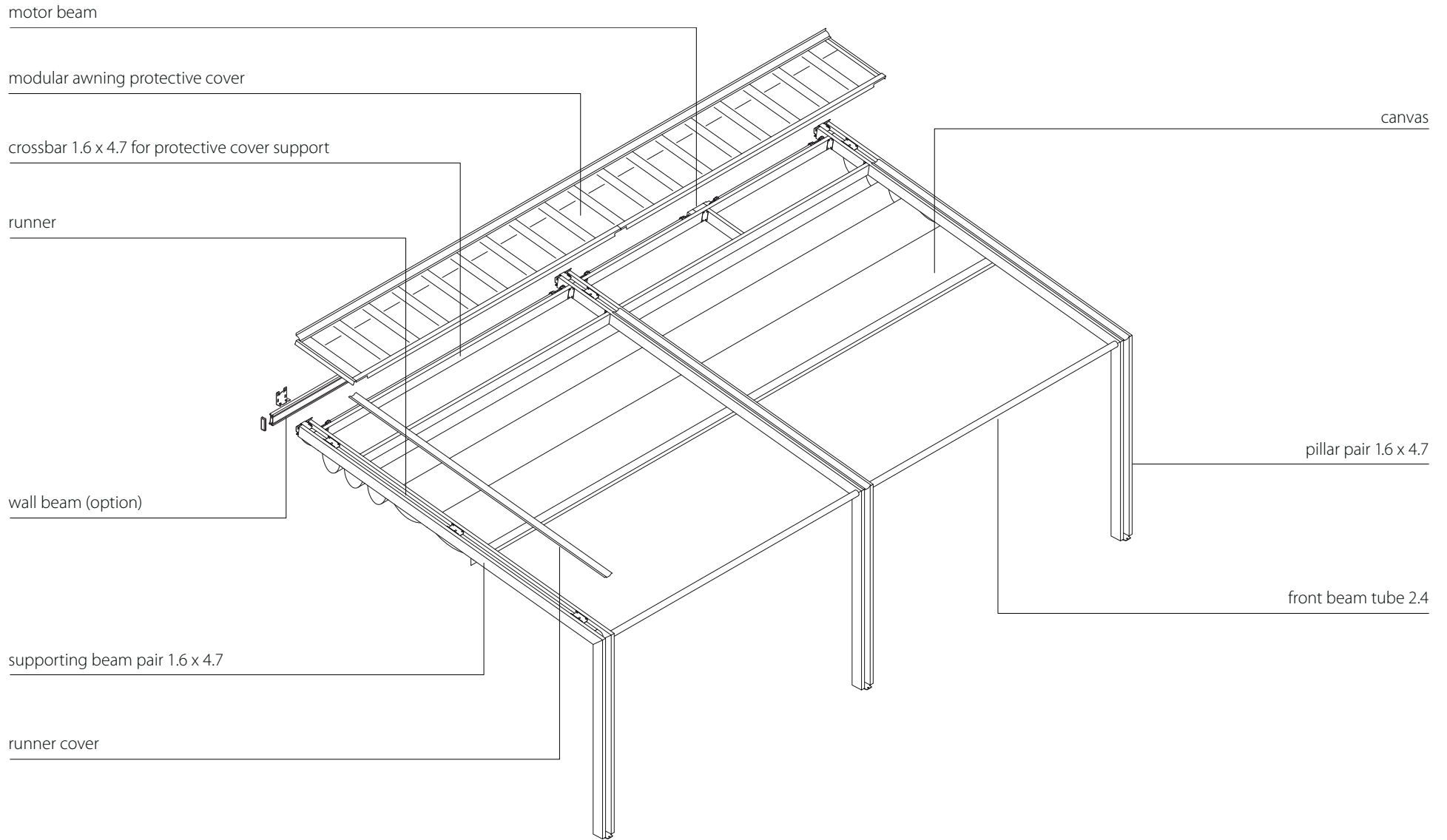
supporting beam pair 1.6 x 4.7

runner cover

front beam tube 2.4



MILLENIUM® 3 RUNNERS



modular awning protective cover

canvas

crossbar 1.6 x 4.7 for protective cover support

motor

runner

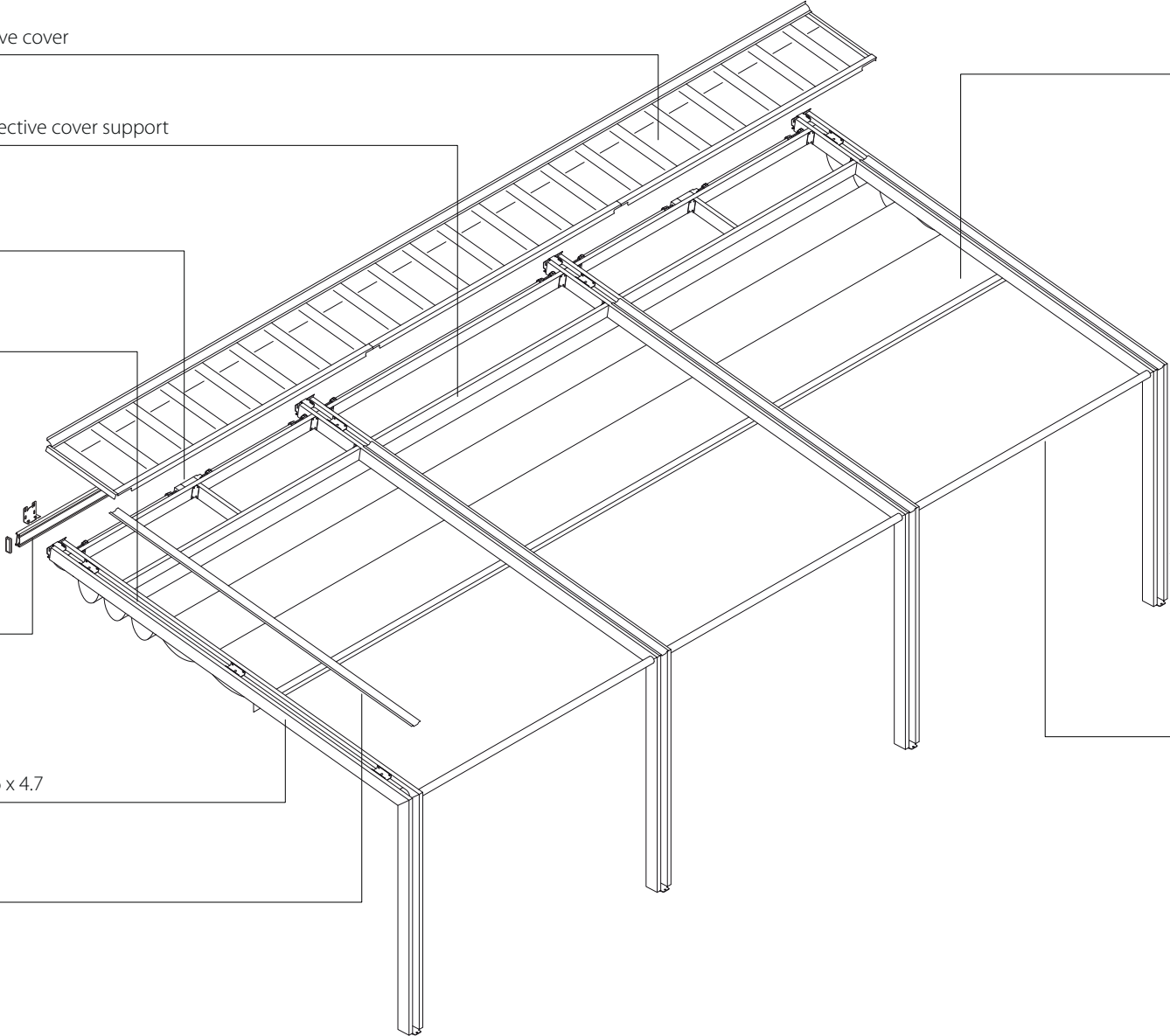
wall beam (option)

pillar pair 1.6 x 4.7

supporting beam pair 1.6 x 4.7

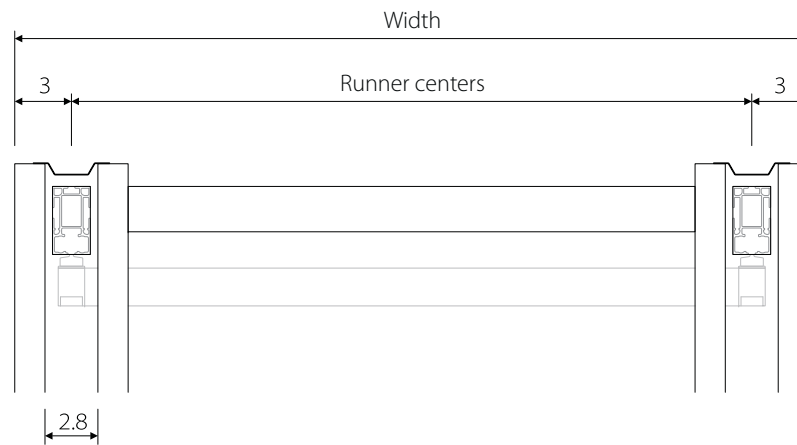
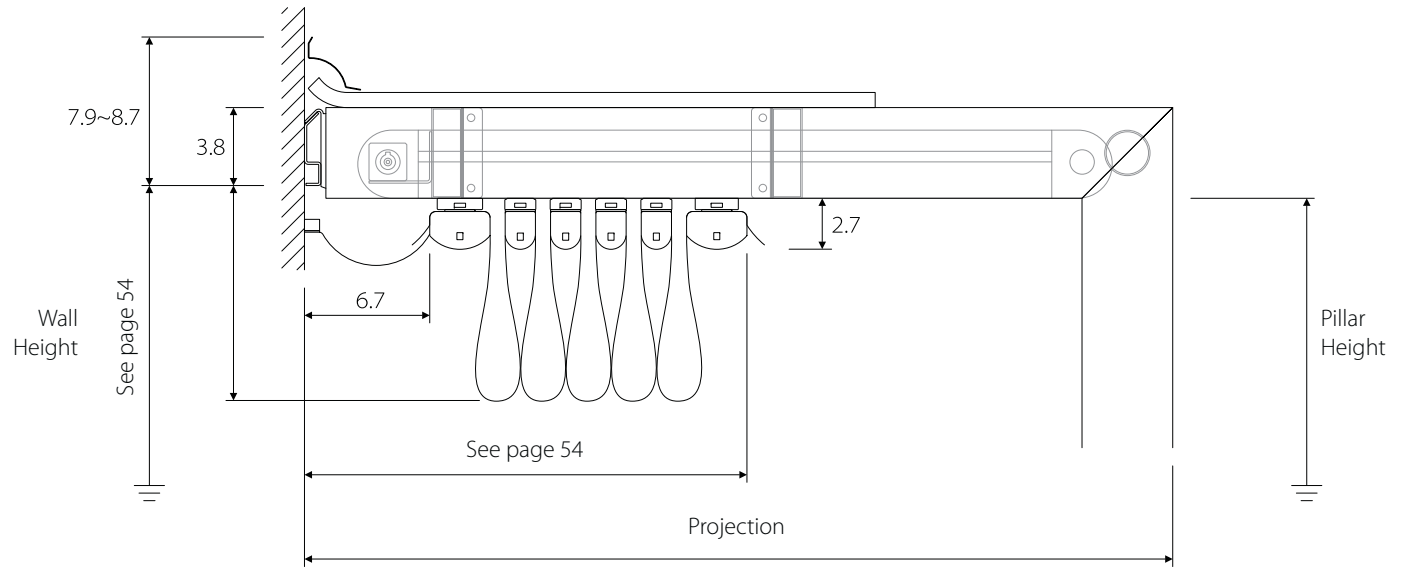
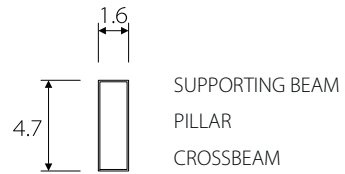
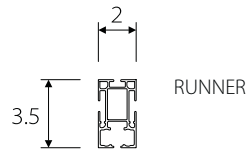
front beam tube 2.4

runner cover



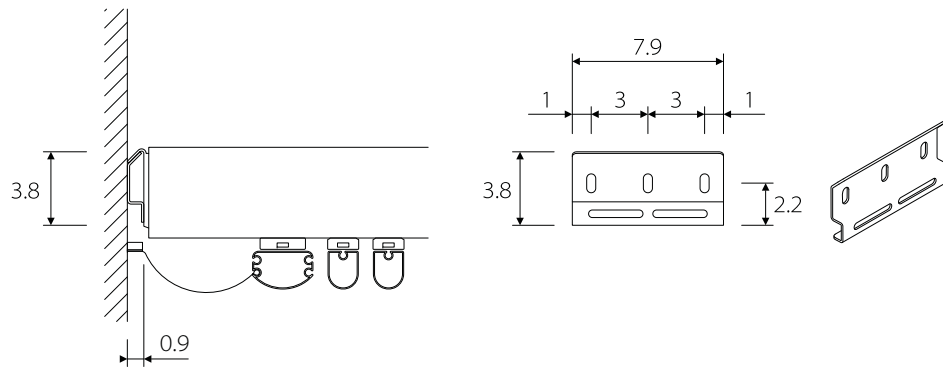
MILLENIUM® DIMENSIONS

PROFILE SECTION

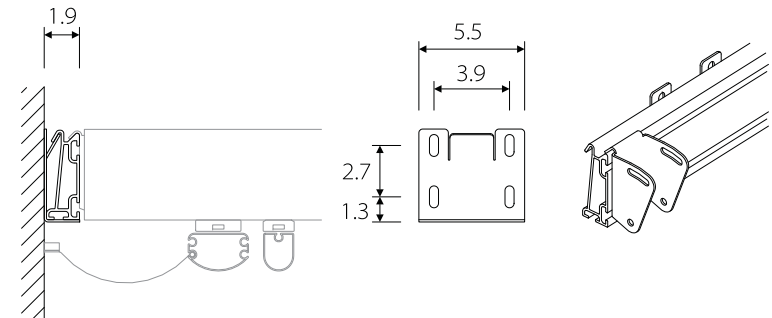


All measurements are given in inches.

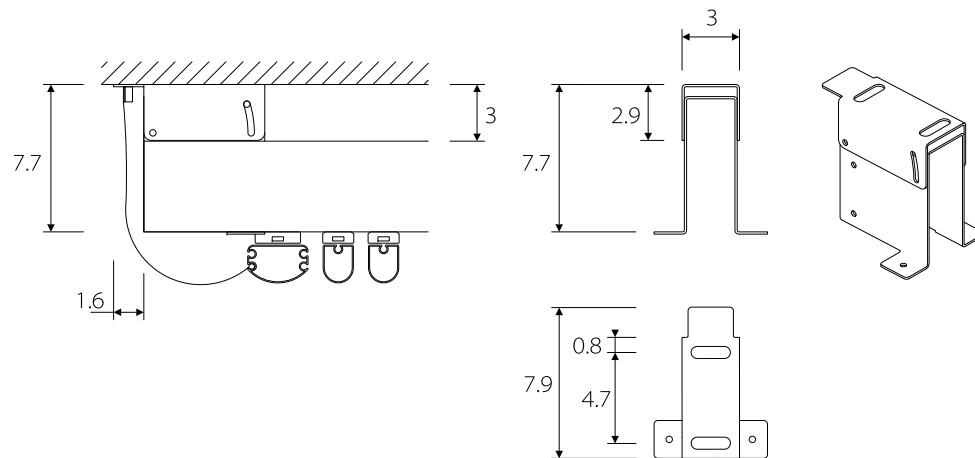
DIRECT MOUNTING TO WALL



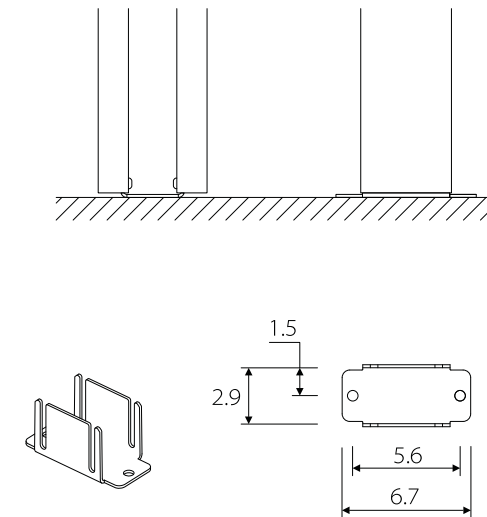
MOUNTING TO WALL WITH BEAM



CEILING MOUNTING



FLOOR MOUNTING

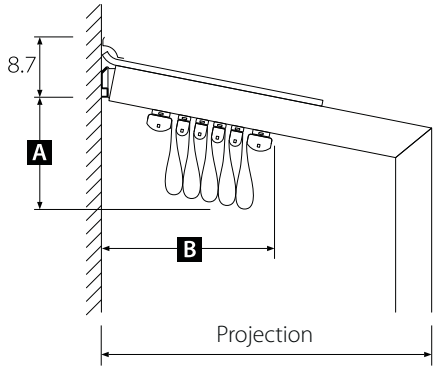


All measurements are given in inches.

MILLENIU[®] CANVAS ENCUMBERANCE

Pitched version

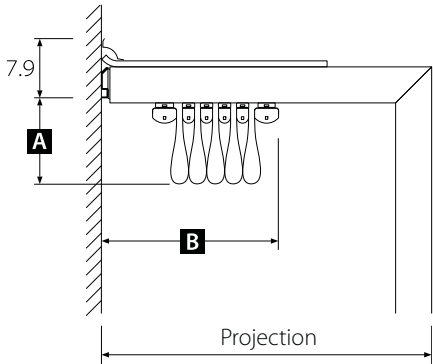
Minimum values of the encumbrance of the folded awning for the pitched version (slope 15%). The figures written in bold type refer to the canvas encumbrance with standard support tubes and the following refer to the use of additional tubes.



PROJECTION inches	SUPPORT TUBES TOTAL NUMBER									
	4	5	6	7	8	9	10	11	12	13
89	12.2	9.4	8.3							
112		12.6	10.6	9.4						
136			13	11.4	10.2					
159				13.4	11.8	11				
183					13.8	12.6	11.8			
206						14.2	13	12.6		
230							14.6	13.8	13	
232								13.8	13.4	12.6
	15	18	21	24	26	29	32	35	37	40

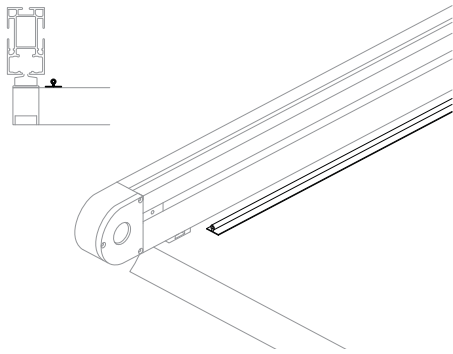
Flat version

Minimum values of the encumbrance of the folded awning for the flat version. The figures written in bold type refer to the canvas encumbrance with standard support tubes with a deflection of 6.7 in.



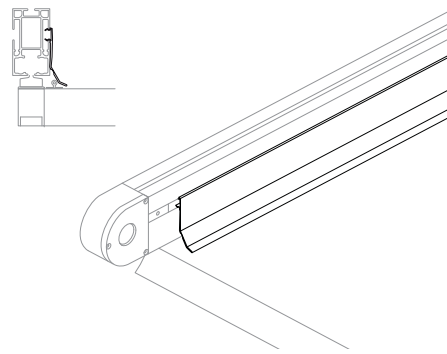
PROJECTION inches	SUPPORT TUBES TOTAL NUMBER									
	5	6	7	8	9	10	11	12	13	14
98	11.4									
117		11.4								
137			11.4							
157				11.4						
176					11.4					
196						11.4				
216							11.4			
235								11.4		
236									11.4	
256										11.4
	22	25	28	31	33	36	39	42	44	47

FTR = Feature (included)
OPT = Option (incurs additional charge)



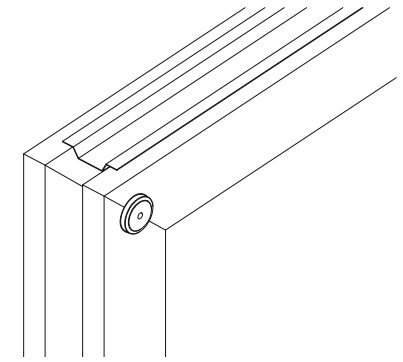
ANTIDRIP SYSTEM

FTR - Electric weldable pvc profile on the upper part of the canvas for lateral rainwater prevention.



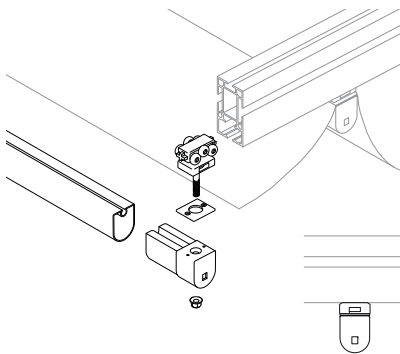
ANTISPRAY PROFILE

FTR - PVC profile pressed on the lateral side of the runner for retention of rainwater spray. Always in addition to **ANTIDRIP SYSTEM**.



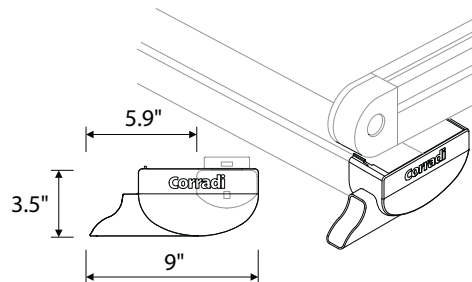
ADD-ON RUNNER

OPT - Millenium runner complete with pair of supporting beams and pillar pair 1.6 x 4.7, inox supports, Impact runner system, sliders, support tube joints, central transmission shaft with bushings.



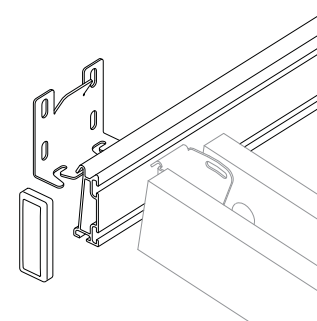
ADD-ON INTERMEDIATE SUPPORT TUBE

OPT - Complete intermediate support tube with intermediate stopper, joints (where present) and intermediate sliders.



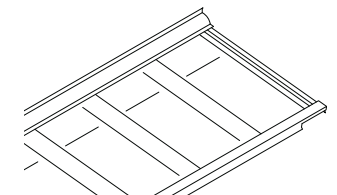
RETRACTABLE GUTTER

OPT - Extruded aluminium profile for rainwater collection, only for pitched versions, fixed to the end support tube. One drainage per runner. Down pipes included (1 for every pillar).



WALL BEAM

OPT - Aluminium profile for uneven walls, where standard fastening to supports is awkward; or otherwise to deal with minor bumps.



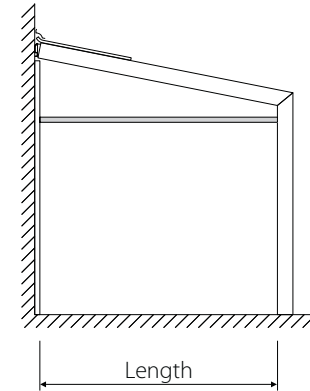
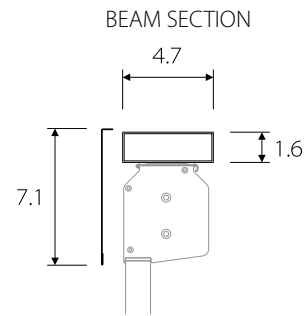
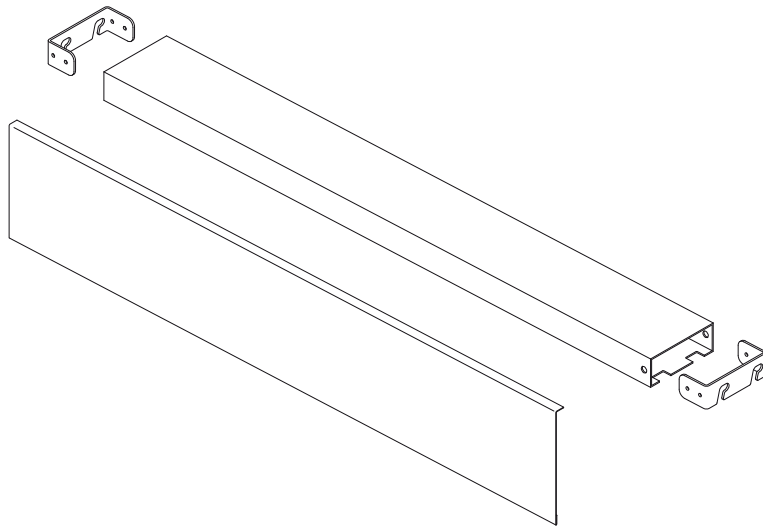
ADD-ON HOOD

OPT - Awning Protection Hood.

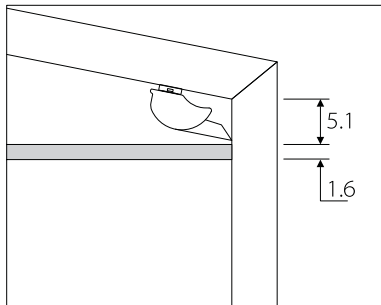
MILLENIUM® HORIZONTAL SIDE BEAM

Beam complete with accessories and processing.

VERSION A - Recommended with Stratus

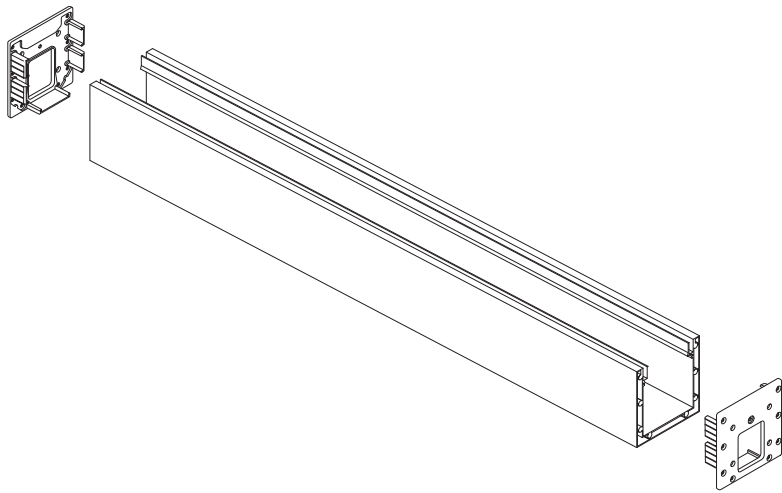


POSITION HORIZONTAL SIDE BEAM

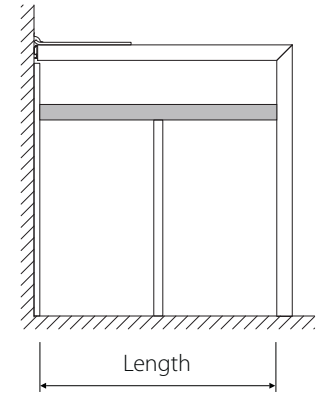
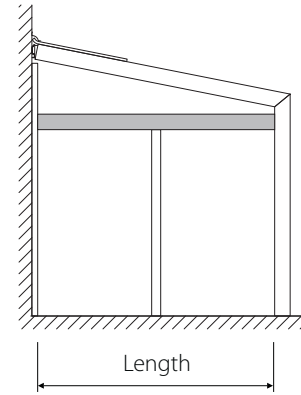
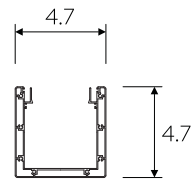


Beam complete with accessories and processing.

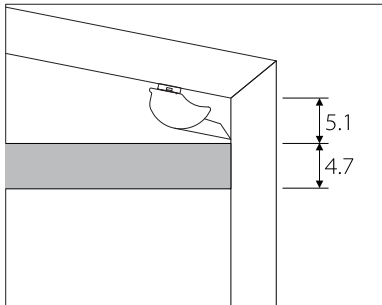
VERSION A - Recommended with Flat Millenium



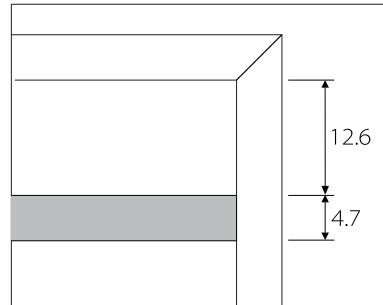
BEAM SECTION



POSITION HORIZONTAL SIDE BEAM
PITCHED VERSION



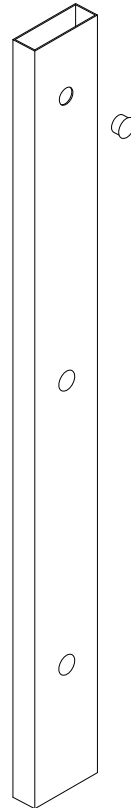
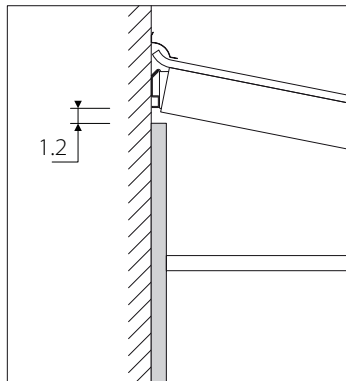
POSITION HORIZONTAL SIDE BEAM
FLAT VERSION



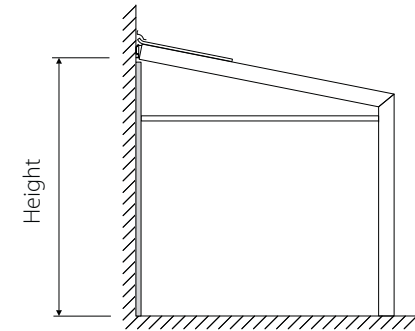
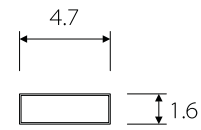
MILLENIUM® VERTICAL WALL BEAM

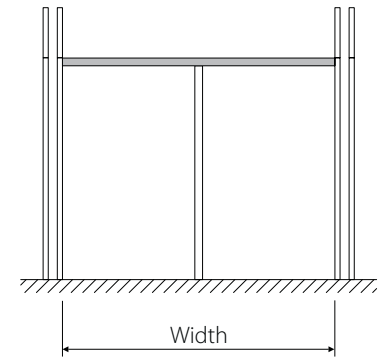
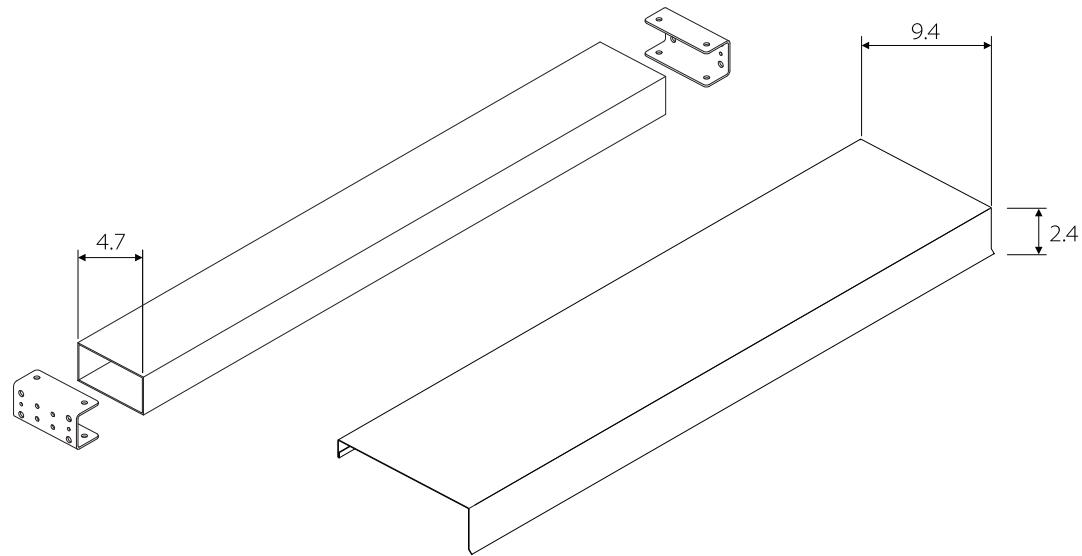
Beam complete with accessories and processing.

POSITION VERTICAL WALL BEAM

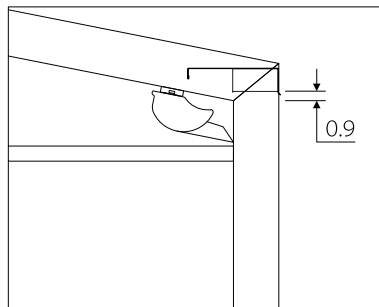


BEAM SECTION



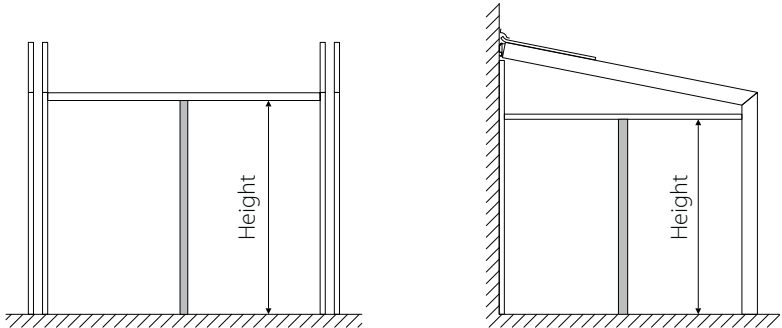
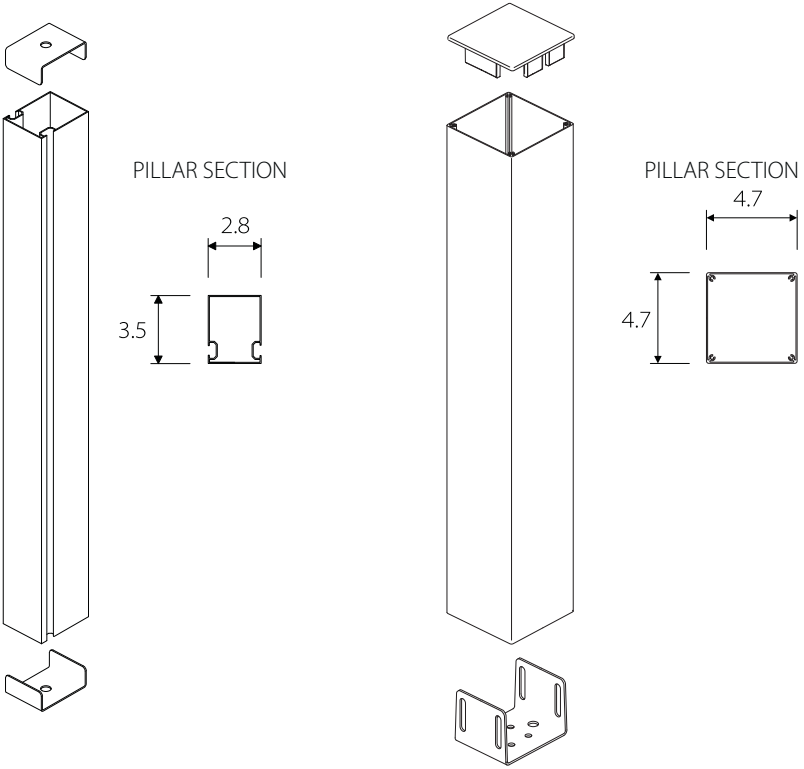


POSITION Front BEAM



MILLENIUM® INTERMEDIATE PILLAR

Beam complete with accessories and manufacturing



*charge may apply for non-standard color.