

Klip



KLIP

Klip is the square bar awning that balances innovation with tradition. A conventional awning but, at the same time, new in design and functional in sunshade technology. The classic awning, reinvented.

Klip is a classic open-roll retractable awning model with a square bar in the back for attachment and a round front bar. It is a classic awning sunshade, but at the same time new in design and functional in technology. Its components have been designed to perfection, ensuring functionality never seen in a square bar awning and has the option of a protective hood to adjust to any installation environmental needs.

It uses only stainless steel hardware and the patented roller tube bracket seamlessly integrated with the square bar to eliminate the need for unsightly external bolt-

on brackets found in most other standard designs. The Urban arm design also features the innovative Dynamic Arm Tensioning (DAT) system, which helps to protect the traction mechanism and to prevent fabric tears. The Klip is available motorized with a Somfy brand motor or manual with a gear and crank.

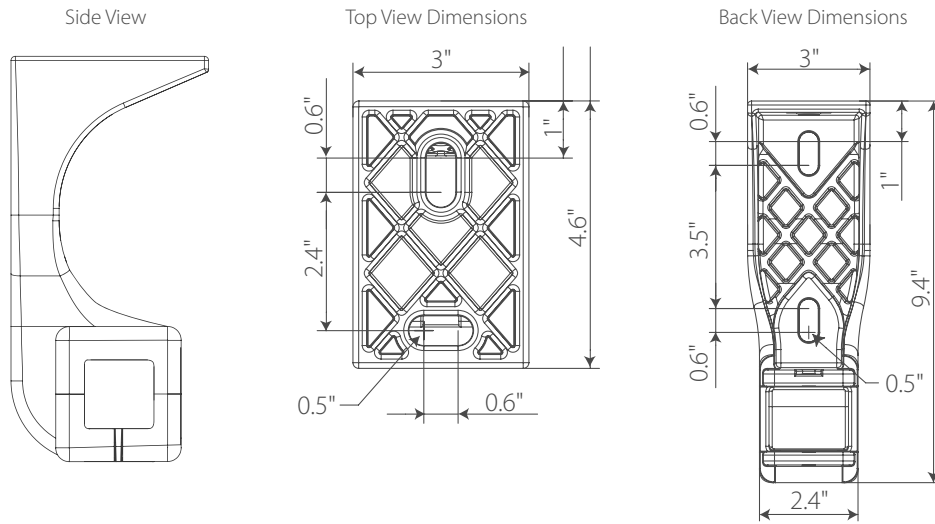
3 Standard Frame colors are available for the Klip: White Quartz, Granite, & Carbon—all finishes are matte. A complete line of awning fabrics is available, featuring our Para Tempotest line of 100% acrylic awning material. The Klip is patented in both technology and design.

SUMMARY

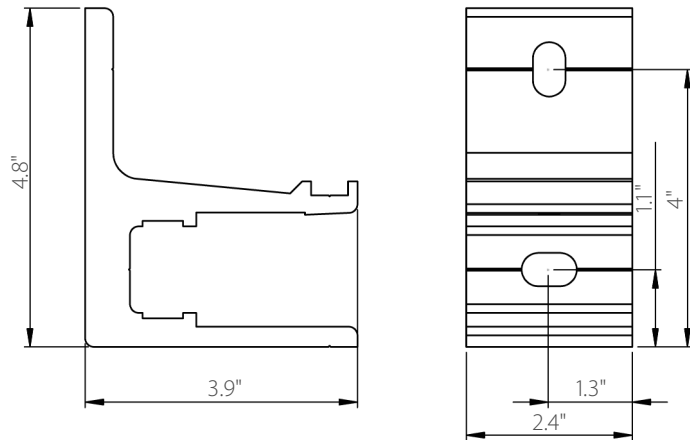
- Retractable arm open roll awning
- Protective hood option available
- Wall, ceiling, and roof mount available
- Pitch ranges between 5° and 65°
- Continuous micrometric regulation of pitch
- Urban arm
- Dynamic Arm Tensioning (DAT) System
- Stainless steel hardware
- Motorized and manual operation available
- Patented design
- Standard matte frame colors—
 - White Quartz, Granite, & Carbon



KLIP CEILING/UNIVERSAL BRACKET

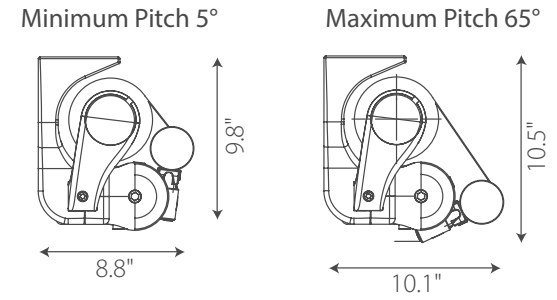


KLIP WALL MOUNT BRACKET

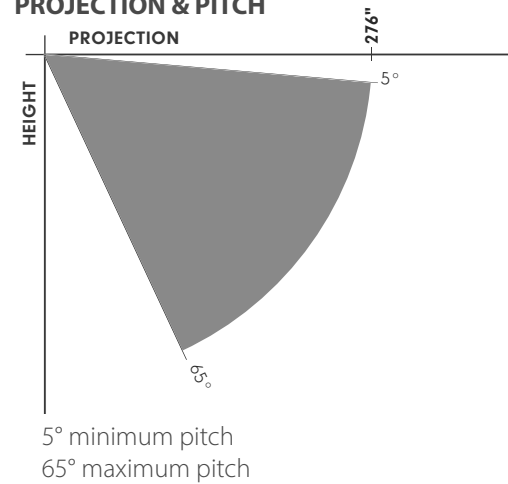


KLIP PROFILE DIMENSIONS WITH FOLDED ARMS

Wall or Ceiling Mount



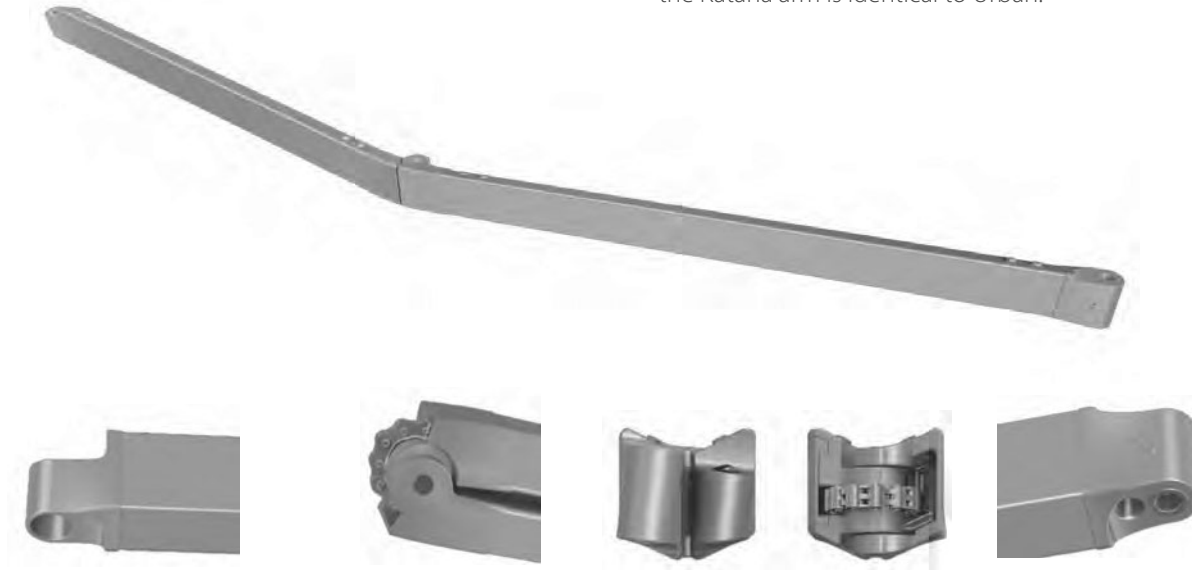
PROJECTION & PITCH



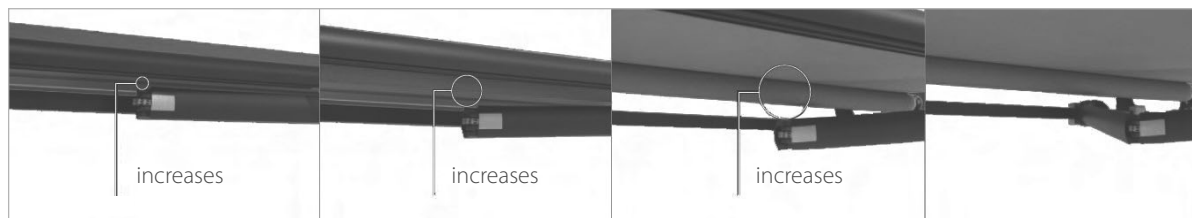
Klip uses the Urban arm featuring the DAT system.

Urban arms are the essence of advanced technology and fine Italian design. No compromise on performances and details. An unprecedented retractable arm of unique design with raw materials of highest quality and the advanced technology of the DAT system come together to make the Urban arm a masterpiece in the world of shading.

Katana arms are specifically designed for larger projections (11'6" and 13'6") using extruded profiles with thicker internal walls and reinforced die-cast ends and elbows that enter approximately 4 inches deeper into the extrusions than the Urban arms. All of Katana's differences are internal as the exterior look and smooth function of the Katana arm is identical to Urban.



Due to the interaction of the arm with the rear arm bracket, the distance between fabric and arm increases when deployed to protect the fabric.



ARM SIZE & WIDTH RANGE

Maximum width

Projection*	Max. width	Style
6'6" (78")	360" / 30'	Urban
8'4" (100")	360" / 30'	Urban
10' (120")	360" / 30'	Urban
11'6" (138")	360" / 30'	Katana

Minimum width per arm count

Projection*	2 Arms	3 Arms	4 Arms
6'6" (78")	82"	119"	156"
8'4" (100")	102"	148"	194"
10' (120")	121"	178"	240"
11'6" (138")	147"	213"	280"

*Maximum projection indicated is intended with arms at 0° pitch, perpendicular to the mounted wall. Increasing the pitch will decrease the projection when measured in a straight/perpendicular line from the mounted wall.

KLIP Hood Option



Klip Hood Option



The hood adds a minimum of approximately 2.5" in height to the normal dimension of the height given for a wall mount awning.

Please note that hood end caps are plastic, and therefore cannot be powder coated.



Universal Bracket



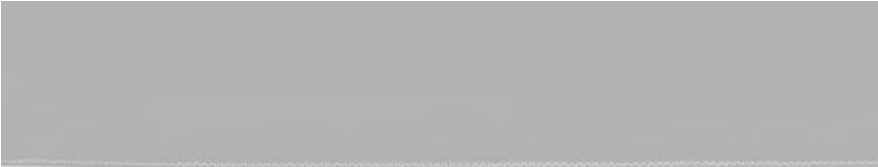
Hood Gasket



Protective hood for square bars – depth 12 in

VALANCE STYLE OPTIONS

STYLE 1



STYLE 4



STYLE 2



STYLE 5



STYLE 3



STYLE 6

