

HARBOR

A heavy duty cassette system with a bigger cassette and larger roll-tube, the Harbor is perfect for situations requiring wider widths or longer lengths with thicker fabrics to be covered.

The Harbor is modeled after the industry's superior shading system, the Summit, and is exclusively manufactured and sold by Corradi USA.

The base model is manual gear operated with detachable clicking crank, no side tracks, and a round bottom bar. The headbox has a curved front.

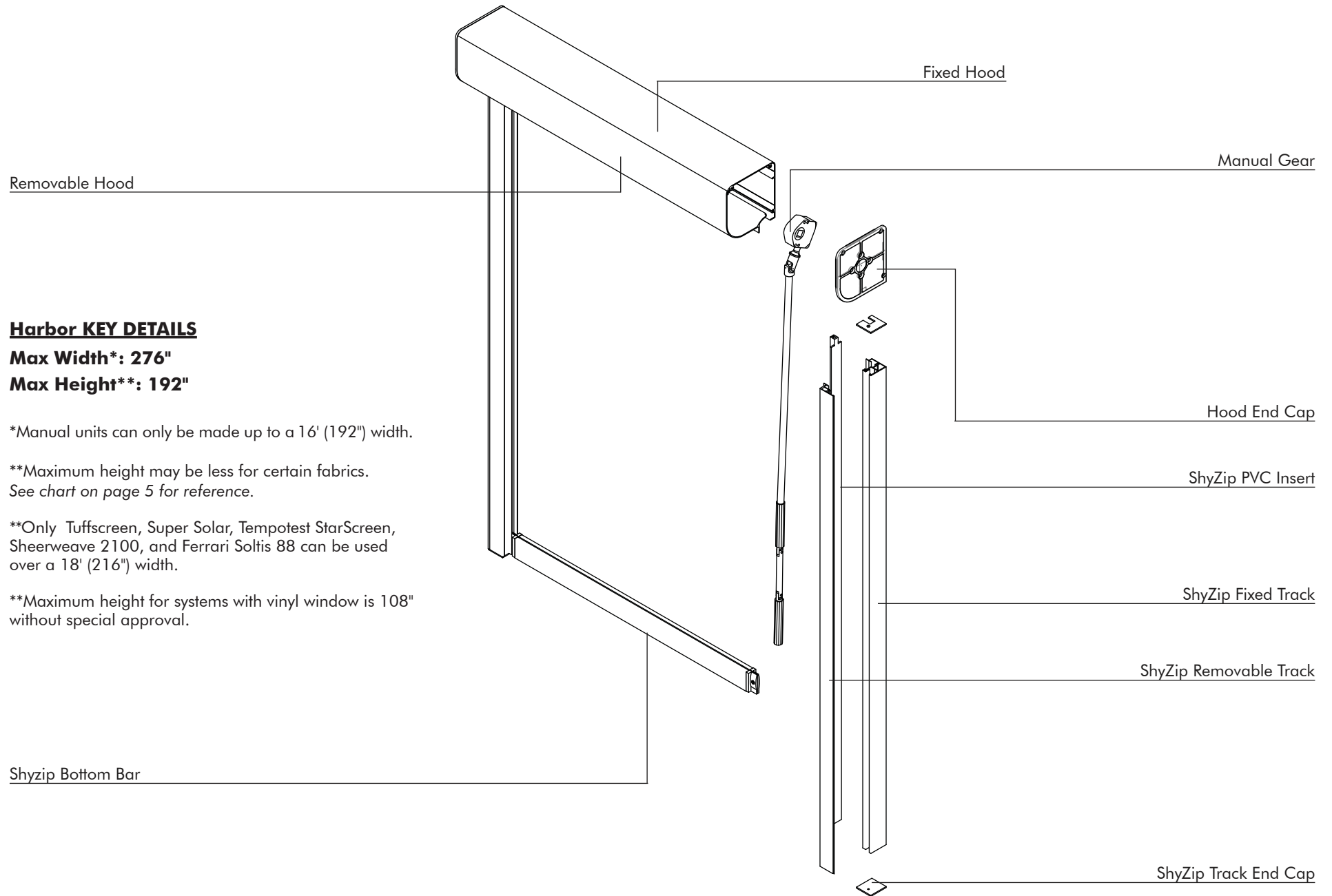
Upgrade track options include the ShyZip Spring fabric retention system or stainless steel cable guides for both manual or motorized.

The manual option includes a detachable clicking crank with an inconspicuous foldable handle. The detachable crank can be used on a manual shade up to the manual maximum length of 16' wide.

Motor configurations include a wired switch controlled motor or wireless remote controlled motor. Corradi offers the latest motors from Nice motors and Somfy motors. Any shade more than 16' wide must be motorized. Also, the wireless options

can be used with a sun, wind, or a sun & wind sensor to automatically operate under specific conditions.

please note Harbor does not use mounting brackets



Harbor KEY DETAILS

Max Width*: 276"

Max Height: 192"**

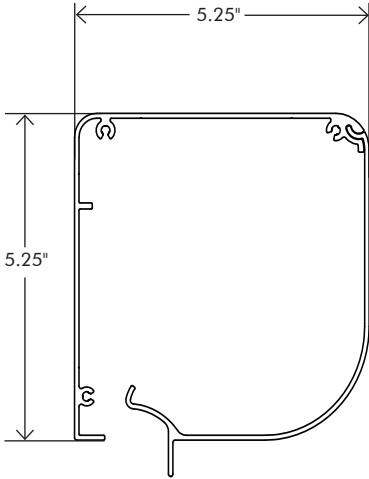
*Manual units can only be made up to a 16' (192") width.

**Maximum height may be less for certain fabrics.
See chart on page 5 for reference.

**Only Tuffscreen, Super Solar, Tempotest StarScreen, Sheerweave 2100, and Ferrari Soltis 88 can be used over a 18' (216") width.

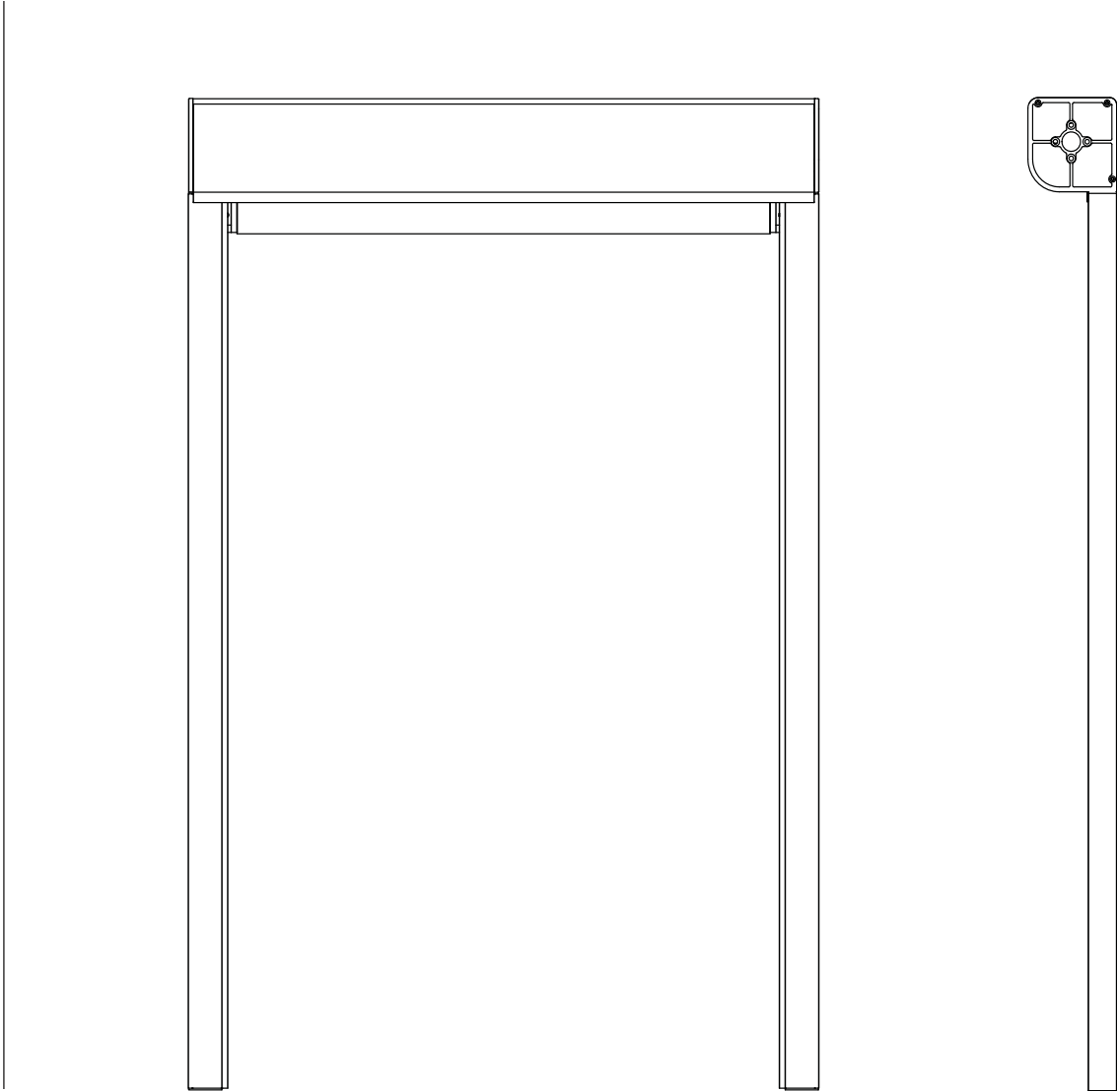
**Maximum height for systems with vinyl window is 108" without special approval.

PROFILE SECTIONS

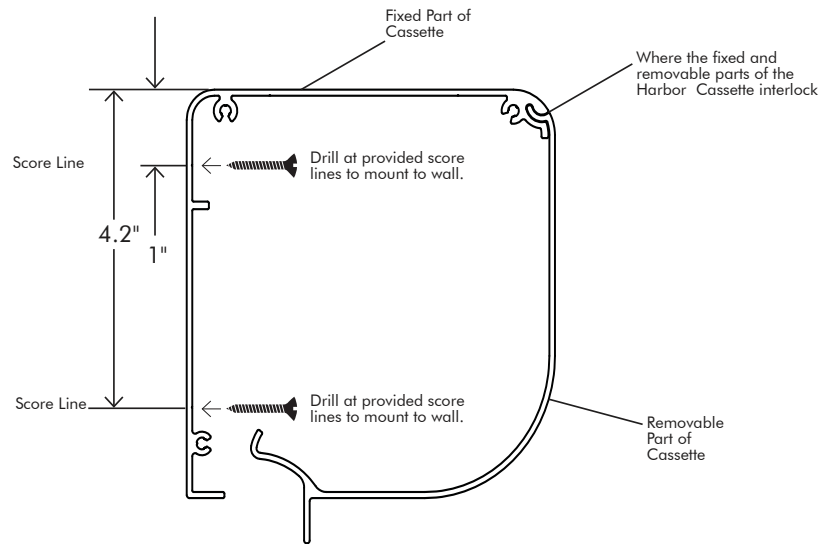


Harbor CASSETTE

Harbor with Shyzip

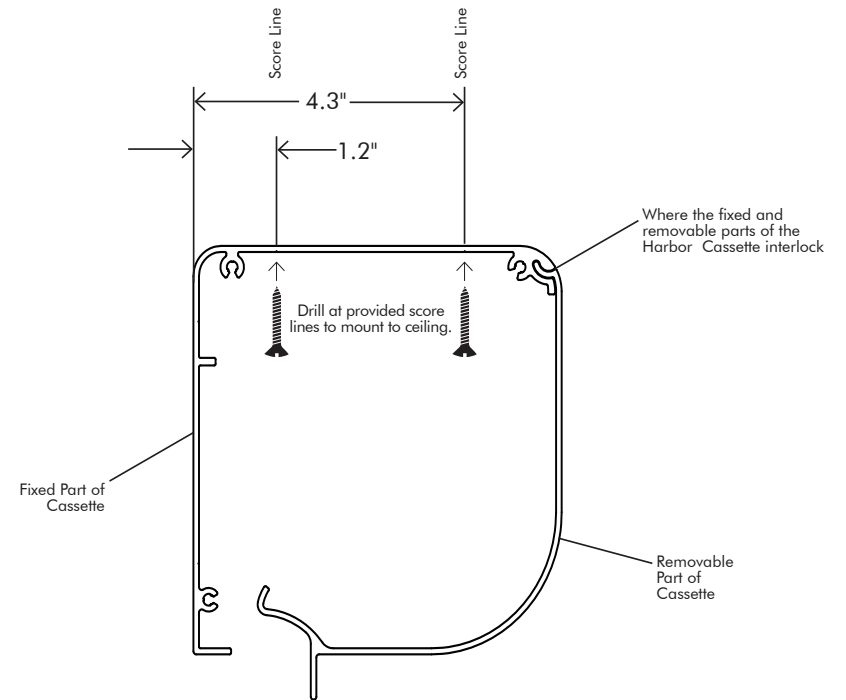


WALL MOUNT



The Harbor must be mounted directly to the wall by drilling directly through the back of the fixed side of the cassette. Guidelines are scored in the extrusion on the fixed side of the cassette where indicated.

CEILING MOUNT



The Harbor must be mounted directly to the ceiling by drilling directly through the top of the fixed side of the cassette. Guidelines are scored in the extrusion on the fixed side of the cassette where indicated.

NOTE: DUE TO THE HEAVY WEIGHT OF THE HARBOR SYSTEM & THE FACT THAT IT LATER MUST BE INSTALLED BY FASTENING DIRECTLY THROUGH BOX, MOTORIZED UNITS WILL BE SHIPPED WITH MOTORS NOT CONNECTED TO MOTOR BRACKETS, FOR EASE OF INSTALLATION AND REDUCE TO RISK OF FREIGHT DAMAGE.