



SUMMIT

Corradi's leading cassette system, the Summit is adaptable to almost every outdoor shading situation.

The Summit is the industry's benchmark shading system exclusively manufactured and sold by Corradi USA.

The base model is manual gear operated with a detachable clicking crank, no side tracks, and a round bottom bar. The headbox/cassette has the option of a curved front or square front.

Upgrade track options include the ShyZip Spring fabric retention system or stainless steel cable guides for both manual or motorized.

The manual option includes a detachable clicking crank with an inconspicuous foldable handle. The detachable crank can be used on a manual shade up to the manual maximum length of 16' wide.

Motor configurations include a wired switch controlled motor or wireless remote controlled motor. Corradi offers the latest motors from Nice motors and Somfy motors. Any shade more than 16' wide must be motorized. Also, the wireless

options can be used with a sun, wind, or a sun & wind sensor to automatically operate under specific conditions.

The Summit is delivered ready to install with standard easy-to-use ceiling brackets. A wall bracket is offered as an option when required.

Mounting Bracket (wall & ceiling available)

Fixed Hood

Gear

Removable Hood

Summit KEY DETAILS

Max Width*: 216"

Max Height: 192"**

*Manual units can only be made up to a 16' (192") width.

**Maximum height may be less for certain fabrics.
See chart on page 5 for reference.

Die Cast Hood End Cap

ShyZip PVC Insert

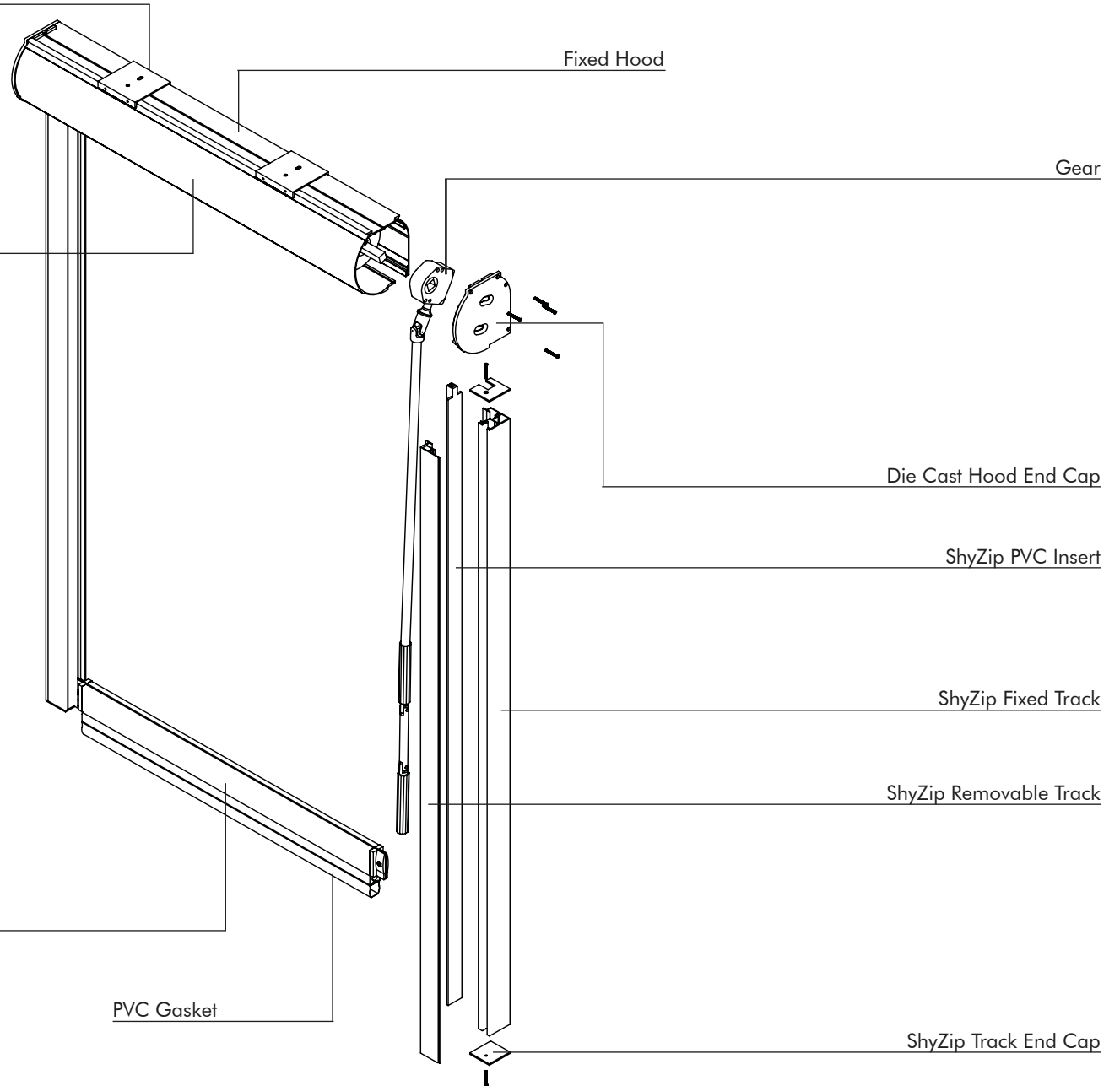
ShyZip Fixed Track

ShyZip Removable Track

Shyzip Bottom Bar

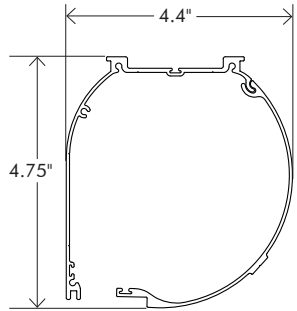
PVC Gasket

ShyZip Track End Cap

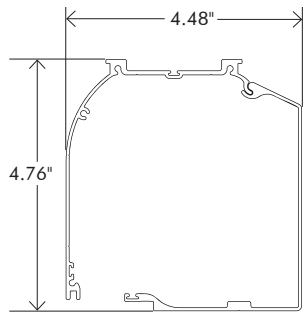


SUMMIT Dimensions

PROFILE SECTIONS

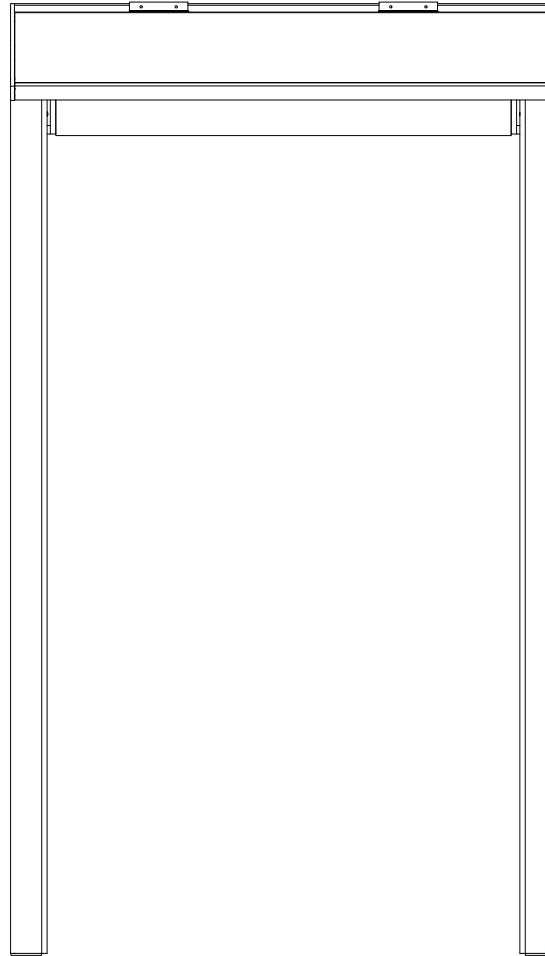


Summit ROUND CASSETTE
(standard)

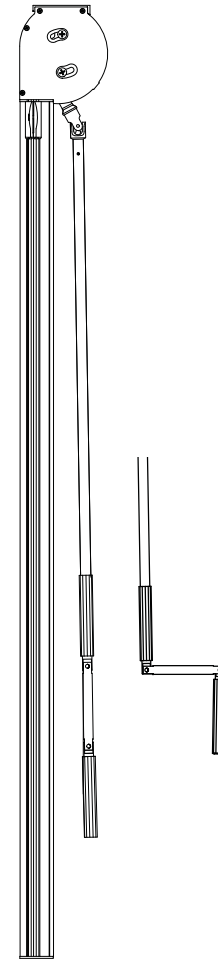


Summit SQUARE CASSETTE

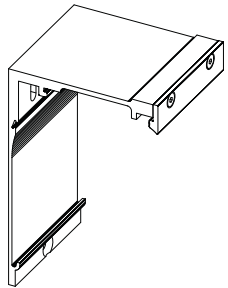
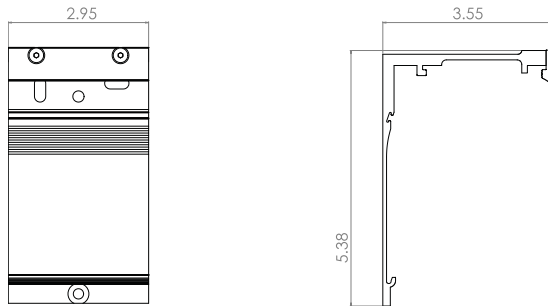
Summit with Shyzip



Summit Manual Gear with Detachable Crank Handle



Wall Brackets*

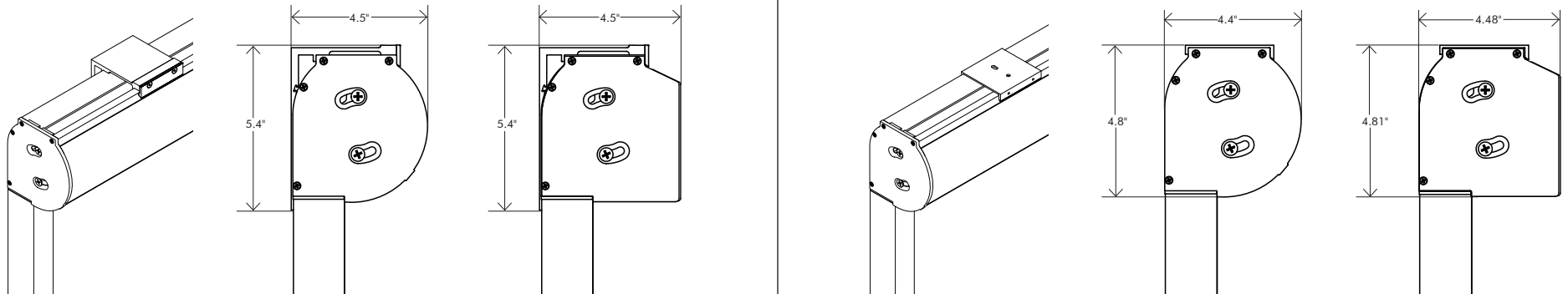
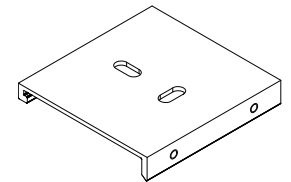
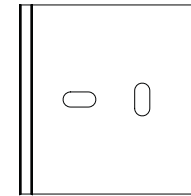
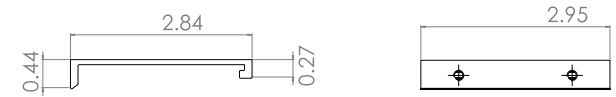


L bracket color is clear anodized only.
 Front locking plate matches color of the cassette.
 *Wall brackets include an extra charge.

How to mount brackets for a Summit:

1. Remove packaging and ensure that you have all brackets and hardware.
2. Mount your brackets so that each bracket is roughly 4"-6" from each endcap. If you have 4 brackets mount the first pair of brackets as described in the previous sentence and then mount the additional brackets 6"-8" from the brackets already mounted. It is absolutely vital that your brackets be mounted level and plumb.
3. Once the brackets are installed, lift the complete box assembly onto the brackets and fasten with the proper set screws.
4. Once the unit is installed mount the relative tracks or cable guides.

Ceiling Brackets



WARRANTY DISCLAIMER (READ CAREFULLY): CORRADI WILL NOT COVER ANY WARRANTY ON SUMMIT SYSTEMS THAT ARE INSTALLED WITHOUT ORIGINAL BRACKETS. WARRANTY WILL BE NULL & VOID IF INSTALLATION IS PERFORMED BY DRILLING DIRECTLY THROUGH THE BOX, BOTH ON WALL & CEILING APPLICATIONS, UNLESS PREVIOUSLY AUTHORIZED BY CORRADI FOR TECHNICAL REASONS.