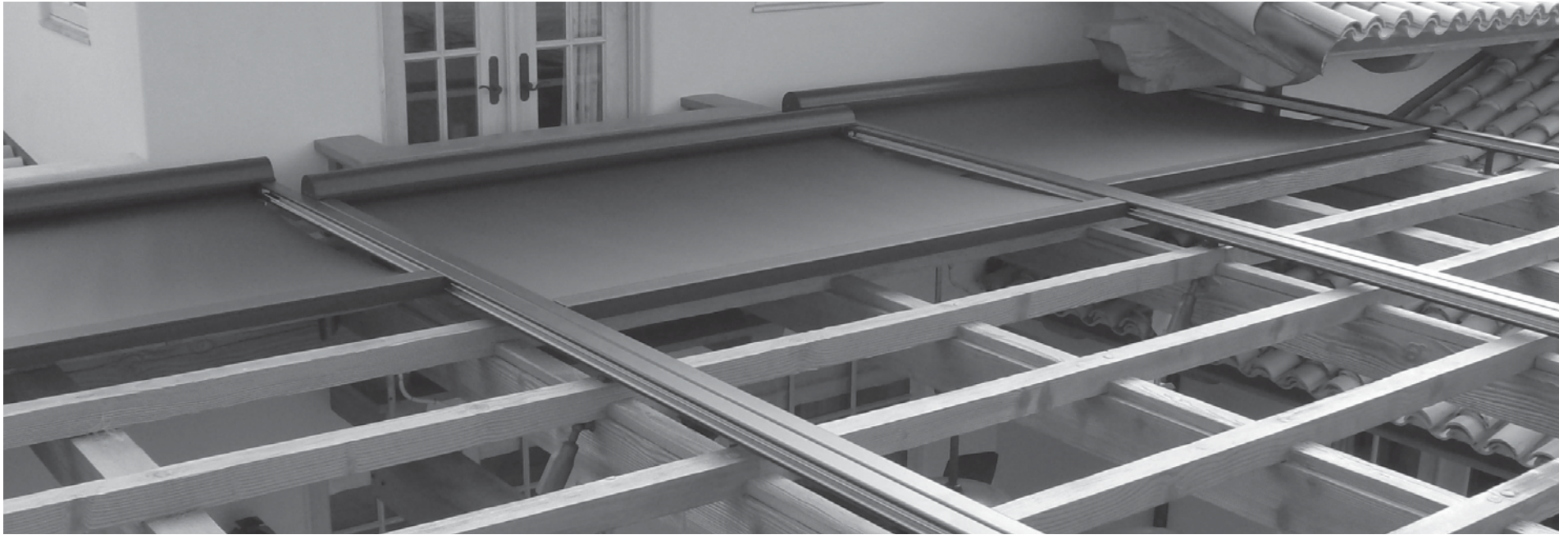


Horizon



HORIZON

Designed for 360° of interior and exterior skylight shading, as well as mounting to existing structures for patio areas, the Horizon is a unique answer to controlling the sun's harsh U.V. rays.

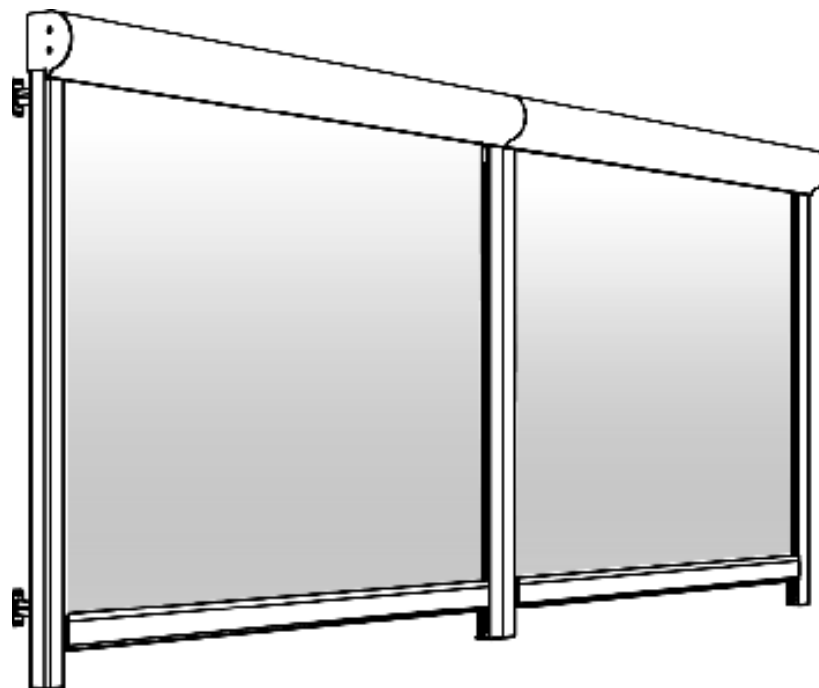
The Horizon is a shade structure unlike any other. It is capable of up to 195 square feet of coverage per individual unit. Even greater coverage can be created by installing the units side by side. Bottom-up applications are possible as well as any angle of application that offers a mounting surface.

The Horizon can be mounted flush or up to a 2 foot distance from the mounting surface depending on the brackets you wish to use. The bracket options available for the Horizon are L-brackets for flush mounts or stand-off brackets for mounting above the surface (min 2"-max 24").

The base Horizon comes in white only, motorized, with tracks specifically engineered for the Horizon. The Horizon's constant tensioning design will give years of maintenance free sun control. Motorized only, the Horizon is available with several motor configurations including a wired switch controlled motor or wireless remote controlled motor. Corradi offers the latest motors from Nice motors and Somfy motors. Wireless options can be used with a sun, wind, or a sun & wind sensor to automatically operate under specific conditions.

All solar screen fabrics or solid awning fabrics are available for this system. The Horizon is designed only for sun control and is not intended to protect from rain.

A unique characteristic of the Horizon system is that it can be paired with certain Corradi Pergotenda® models to create ultimate overhead control over the outdoor elements in complete style.



SUMMARY

Retractable cassette skylight drop screen/awning
 360° mounting range available
 Flush (L-bracket) and Stand-off mount available
 Motorized only
 Horizon side tracks guide option only
 Standard white frame only
 Custom RAL powder coating option available



SIZE RANGE

Max Width
 180" *depending on drop*

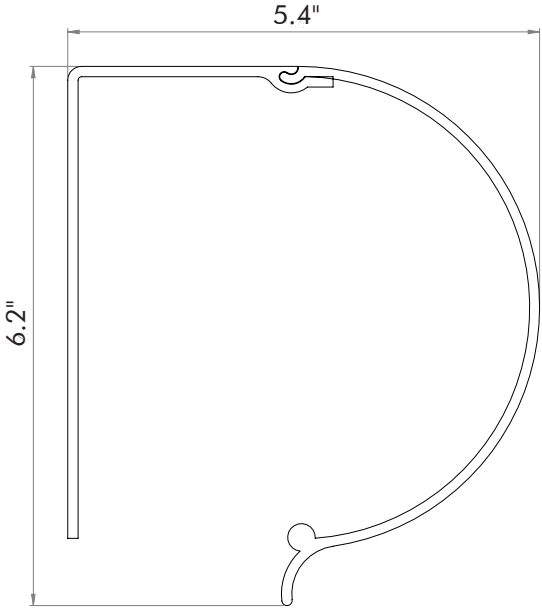
Max Drop
 180" *depending on width*

Min Width
 60"

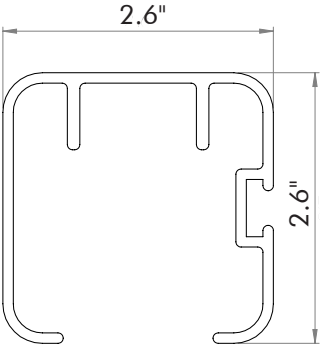
Min Drop
 60"

PROFILE SECTIONS

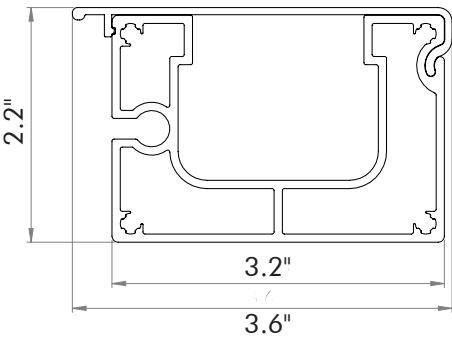
CASSETTE



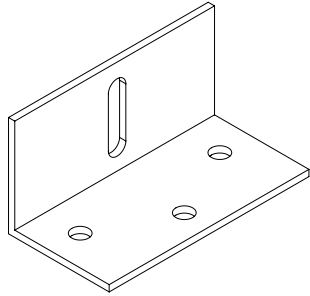
TRACK



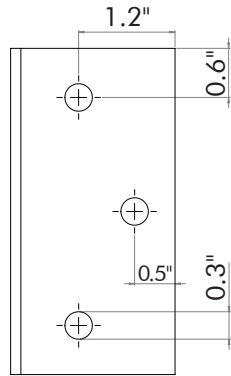
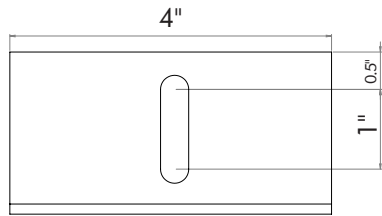
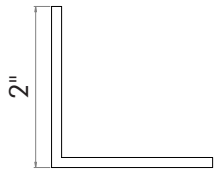
BOTTOM BAR



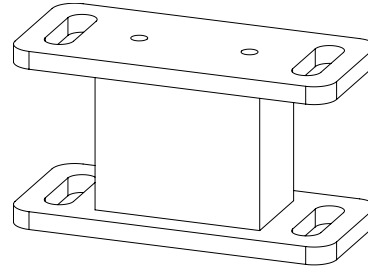
L-BRACKETS



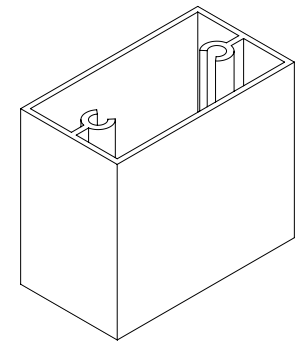
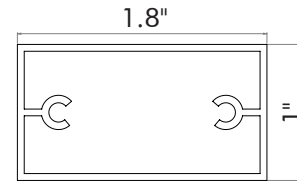
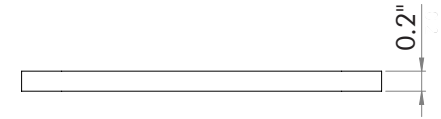
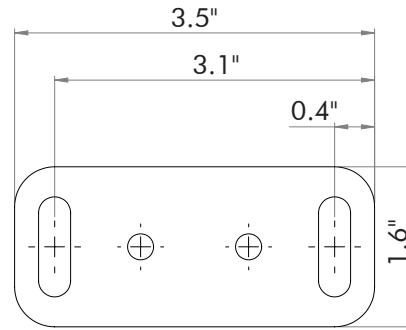
The L-Bracket is used for mounting the Horizon inbetween walls (side-mounting).



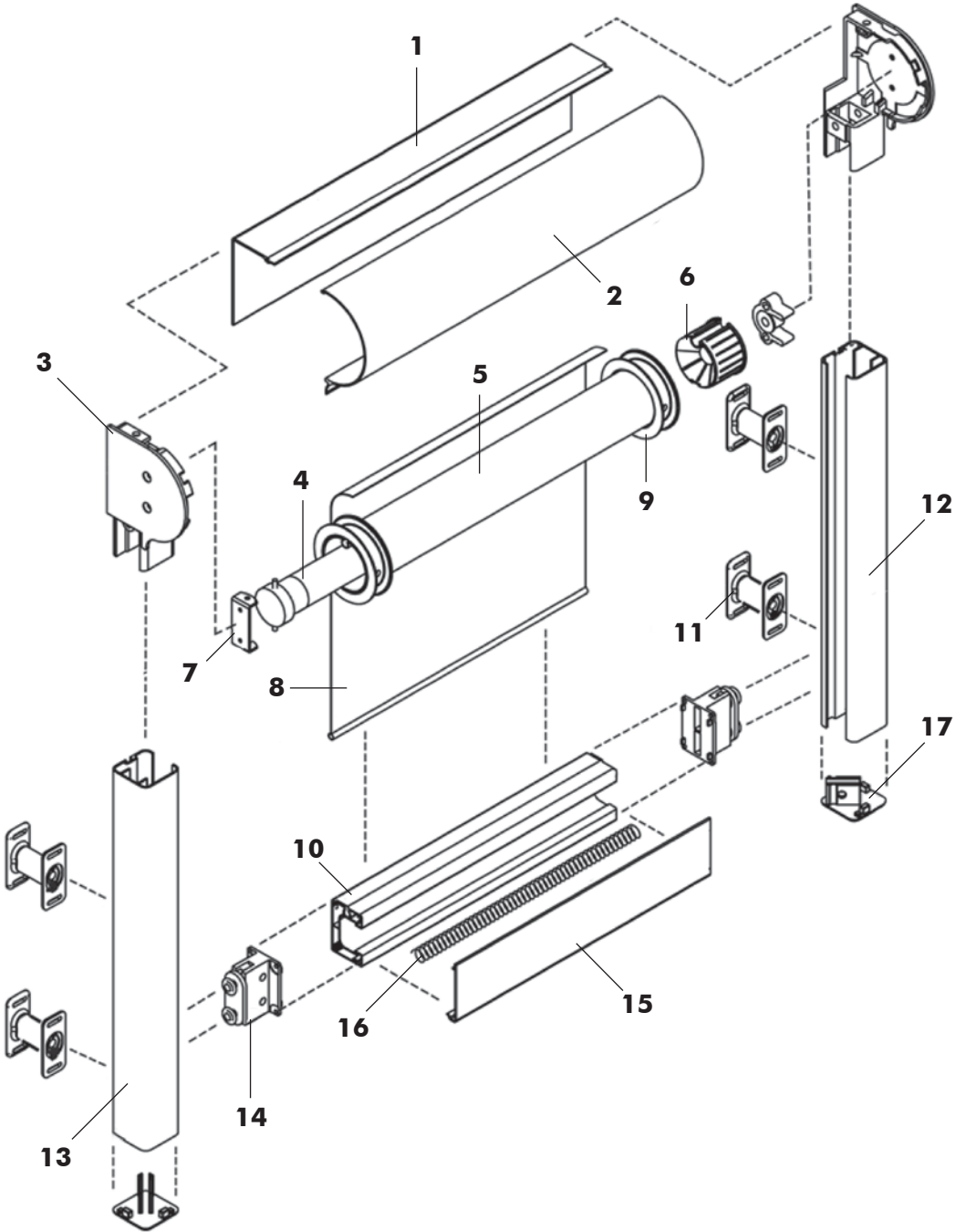
STAND-OFF BRACKETS



The Stand-Off Bracket is used in situations where the Horizon must be installed on top or bottom of existing structure. The height can be customized at a minimum of 2" and a maximum of 24".



HORIZON Exploded Drawing



- 1** - Fixed Cassette Cover
- 2** - Removable Cassette
- 3** - End Cap (die-cast aluminum)
- 4** - Motor
- 5** - Roll Tube
- 6** - Idle Roll Tube End Cap
- 7** - Motor Bracket
- 8** - Fabric
- 9** - Cable Winder for Pulleys
- 10** - Bottom Bar
- 11** - Mounting Brackets
- 12** - Right Fabric Guide
- 13** - Left Fabric Guide
- 14** - Bottom Bar End Cap
- 15** - Bottom Bar Cover
- 16** - Fabric Tensioning Spring
- 17** - Guide End Cap