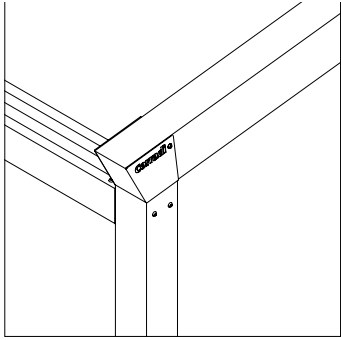


# **B-SPACE**

# B-SPACE DETAILS

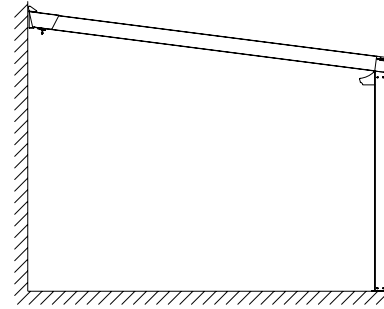


Pergotenda® B-Space is a larger retractable covering system custom made to size for the protection from sun and rain, fixed to a supporting wall. It consists of an aluminum structure and a folding canvas. The wind resistance is variable from grade 4 to grade 8 on the Beaufort scale according to the length of runner wheelbase/runners/projection. The canvas, made from exclusive Corradi Eclissi\* fabric, available in white, grey and ivory, with internal concealed blackout layer and embossed side with weft effect, is supported by intermediate tubes (section: 1.6 x 2 inches) and terminals (section: 3.2 x 2 inches) set parallel to one another approximately every 24 inches. The canvas moves by sliding on runners with anti-spray profile

integrated by means of sliders on 6 asymmetrically arranged wheels with a capacity over 1000 lb / each. The toothed transmission belt contains stainless steel cables and resists a salt water environment; the tensile strength is of 2000 lbs at break; the transmission belt is inserted in each runner, controlled by the notched pulley and a single drive shaft and guarantees the smooth forward movement of the canvas. The Pergotenda® B-Space system is set in motion by an electric motor and it is remote controlled. The aluminum tubular extrusion structure is 4.7 x 6.3 inches and 4.7 x 4.7 inches. The standard frame colors that allow for a 4 to 6 week lead time are Urban Bronze, White Quartz, Carbon, Anthracite & Corten. Special frame finishes available that call for a 6 to 8 week lead time minimum are Glacier, Granite, Dune & Beach Sand. The support tubes come in: White, Ivory, and Grey to match with the Eclissi fabric. The aluminum extrusions are painted with certified Qualicoat cycle epoxy powders. Hardware is in AISI 304 stainless steel and 10/10 aluminum protective covers in: brown, anthracite & white.



PITCHED version



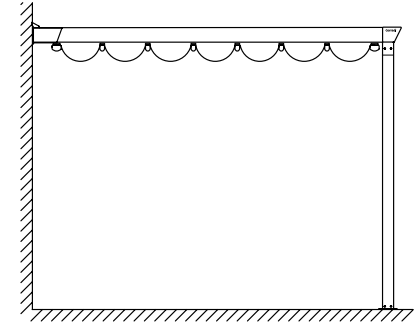
MAXIMUM DIMENSIONS cm

	Width	Projection
<b>2 runners</b>	197	354
<b>3 runners</b>	354	354
<b>4 runners</b>	512	354
<b>5 runners*</b>	512	354

\*available pitched only

When pitched and has 4 to 5 runners, system will require a type 3 motor— which consists of one control board and 2 motors.

FLAT version



MAXIMUM DIMENSIONS cm

standard slack		
	Width	Projection
<b>2 runners</b>	138	354
<b>3 runners</b>	276	354
<b>4 runners</b>	413	354

MAXIMUM DIMENSIONS inches

TRAPEZOIDAL slack		
	Width	Projection
<b>2 runner</b>	197	354
<b>3 runner</b>	315	354
<b>4 runner</b>	472	354

Maximum Designed Pillar Height 98"

crossbar 2.4 x 4.7 for protective cover support

modular awning protective cover

motor

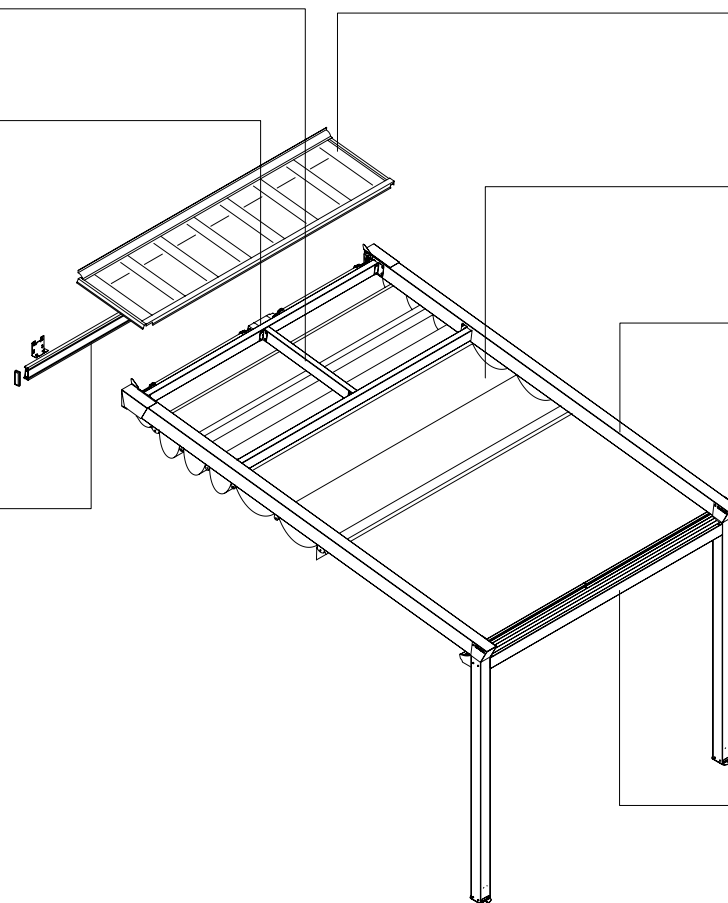
canvas

holding runner beam with integrated rail runners 4.7 x 6.3

wall beam (option)

pillar 4.7 x 4.7

front beam 4.7 x 4.7



# B-SPACE 3 RUNNER

motor

crossbar 2.4 x 4.7 for protective cover support

modular awning protective cover

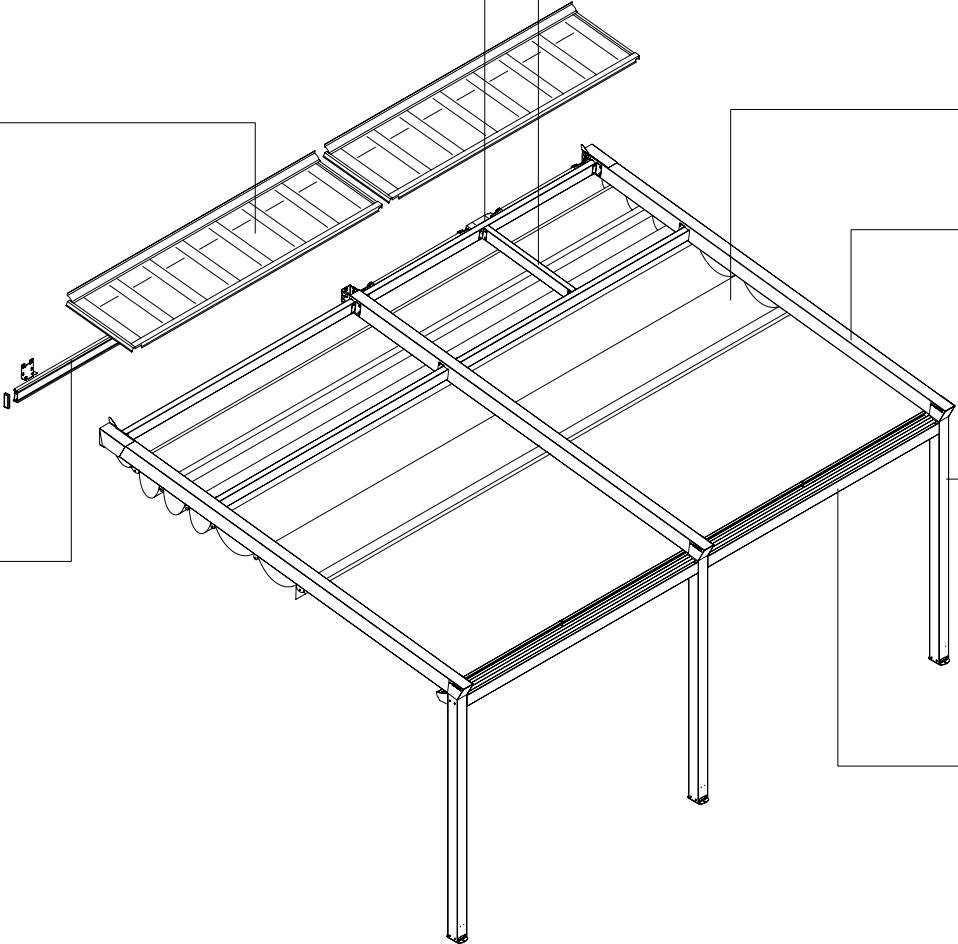
canvas

holding runner beam with integrated rail runners 4.7 x 6.3

wall beam (option)

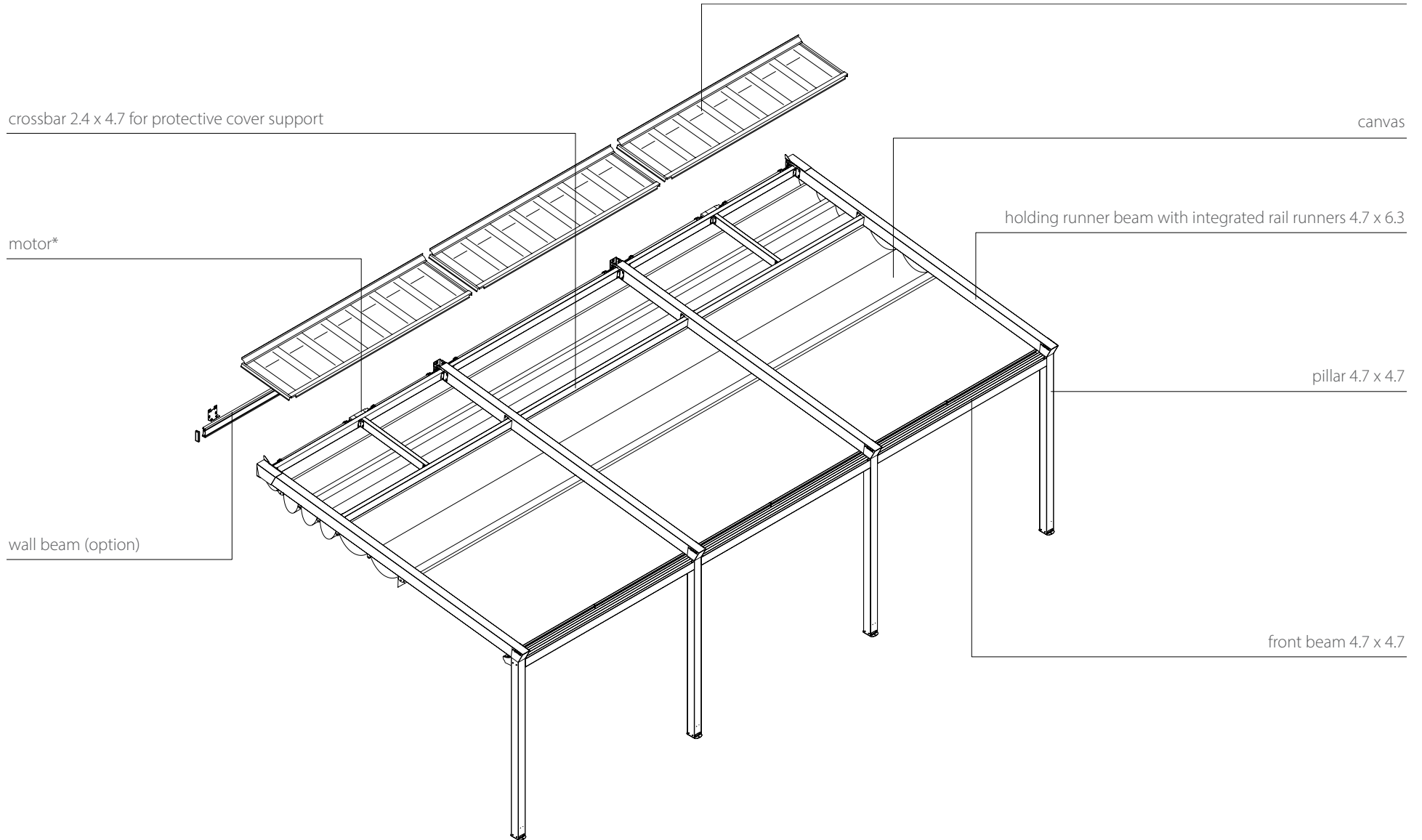
pillar 4.7 x 4.7

front beam 4.7 x 4.7



# B-SPACE 4 RUNNER

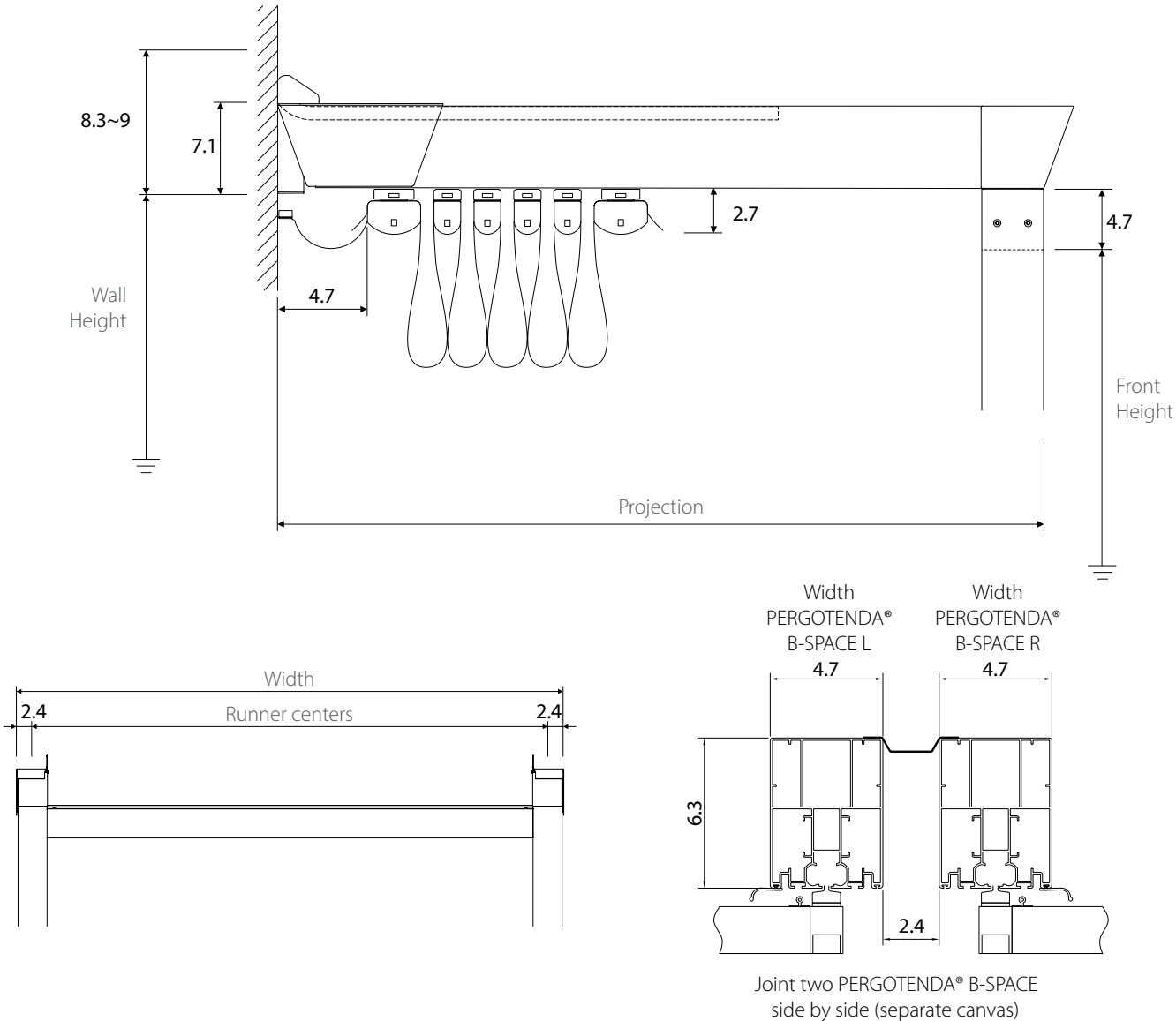
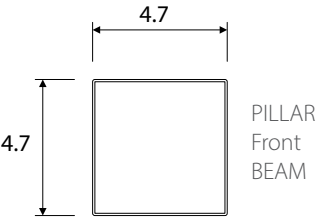
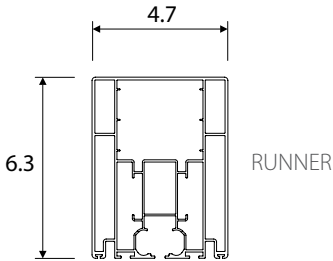
modular awning protective cover



*\*When 4 to 5 runners, system will require 2 motors installed as depicted in this image.*

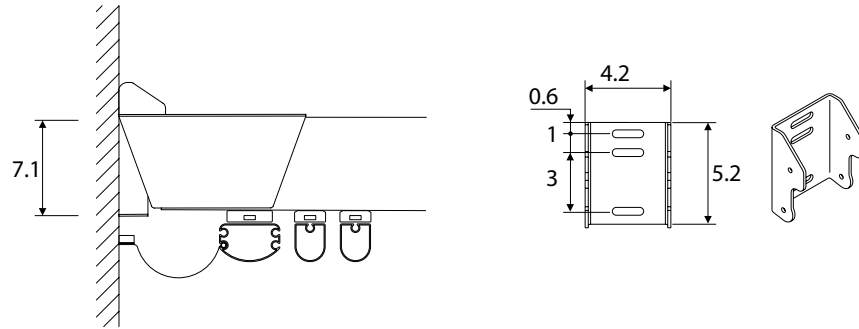
# B-SPACE DIMENSIONS

## PROFILE SECTION

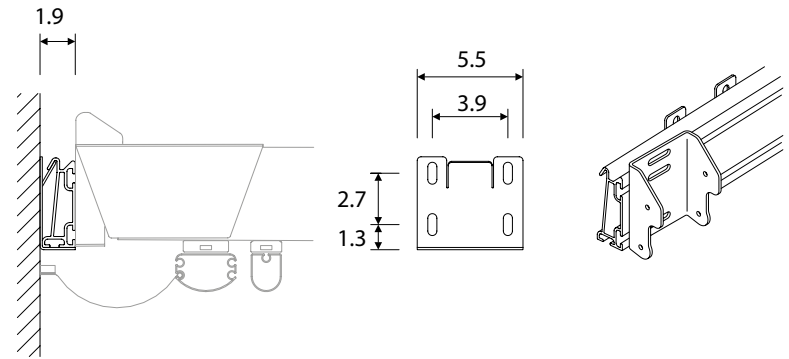


All measurements are given in inches.

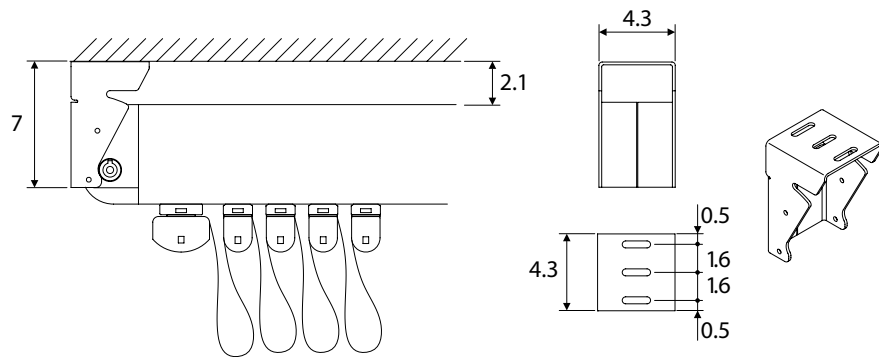
## DIRECT INSTALLATION TO WALL



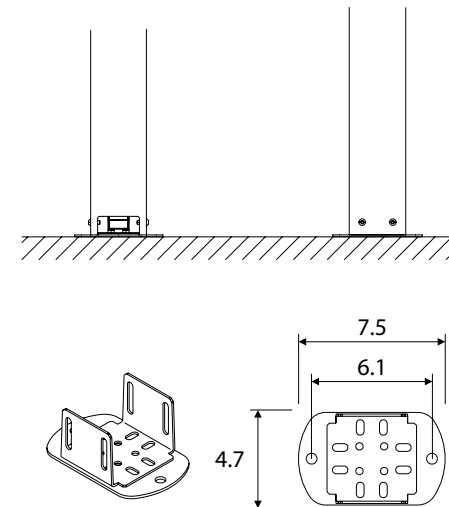
## INSTALLATION TO WALL WITH BEAM



## CEILING MOUNT



## FLOOR MOUNT

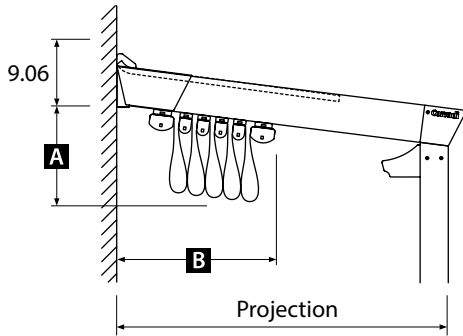


All measurements are given in inches.

# B-SPACE STACKED CANVAS DIMENSIONS

## Pitched

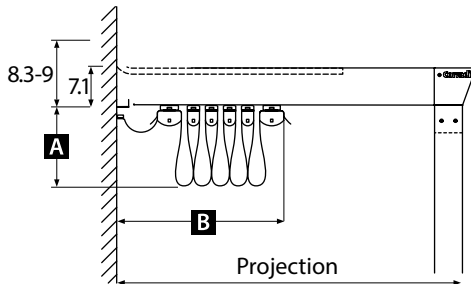
Minimum values of the encumbrance of the folded awning for the pitched version. The figures written in bold type refer to the canvas encumbrance with standard support tubes and the following refer to the use of additional tubes. Maximum pitch 20°.



PROJECTION inches	SUPPORT TUBES TOTAL NUMBER											
	7	8	9	10	11	12	13	14	15	16	17	18
159	<b>13.4</b>	12.2	11.5									
183		<b>13.8</b>	13	12.2								
206			<b>14.2</b>	13.4	12.6							
230				<b>14.6</b>	13.8	13.4						
252					<b>15</b>	14.6	14.2					
276						<b>15.4</b>	15	14.6				
300							<b>16.1</b>	15.4	15			
322								<b>16.5</b>	15.7	15.7		
346									<b>17</b>	16.5	16.1	
354										<b>16.5</b>	16.5	16.1
	24	26	29	32	35	37	40	43	46	48	50	53

## Flat

Minimum values of the swag of the folded awning for the flat version. The figures written in bold type refer to the canvas swag with standard support tubes with a deflection of 6.7 inches.

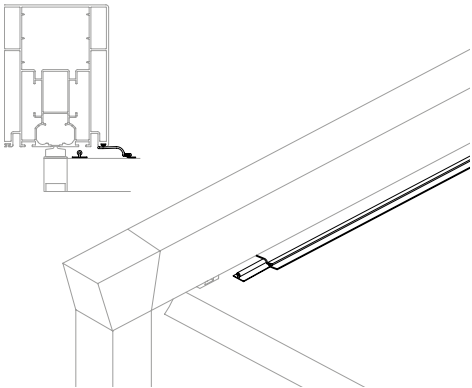


PROJECTION inches	SUPPORT TUBES TOTAL NUMBER											
	7	8	9	10	11	12	13	14	15	16	17	18
159	<b>12</b>	<b>12</b>										
183			<b>12</b>									
206				<b>12</b>								
230					<b>12</b>							
252						<b>12</b>						
276							<b>12</b>					
300								<b>12</b>				
322									<b>12</b>			
346										<b>12</b>		
354											<b>12</b>	<b>12</b>
	24	26	29	32	35	37	40	43	46	48	50	53



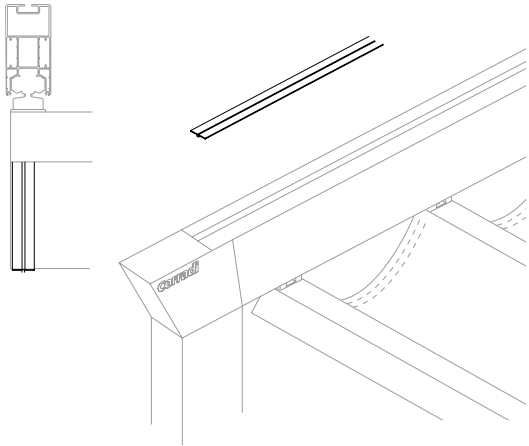
# B-SPACE FEATURES & OPTIONS

**FTR** — Feature (included)  
**OPT** — Option (incurs additional charge)



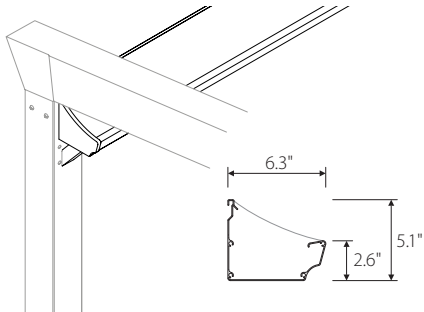
**Antidrip System + Antispray Profile**

*(pitched versions only)*  
**FTR** — Weldable PVC profile on the upper part of the canvas for lateral rainwater prevention complete with antispray profile PERGOTENDA® PERGOTENDA® B-Space preassembled on runners.



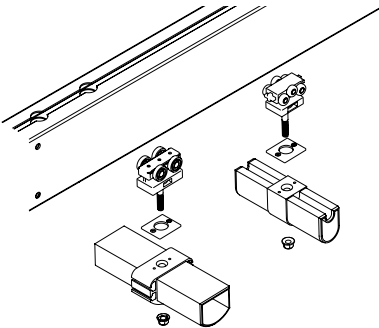
**Underside Drip-Collection Rim** *(flat versions only)*

**FTR** — Electric welded PVC profile on the underside of the canvas. Solely for canvases packed slack. *Not available with trapezoidal fabrics.*



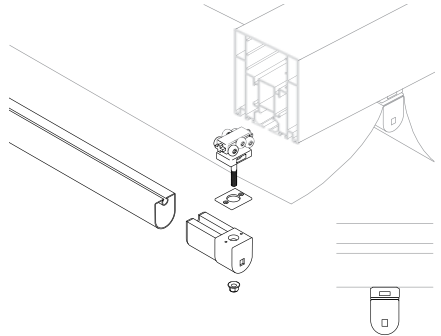
**Fixed Front Gutter**

**OPT** — Extruded aluminum profile for rainwater collection, only for pitched versions. Down pipes (1 about every 236") and accessories included.



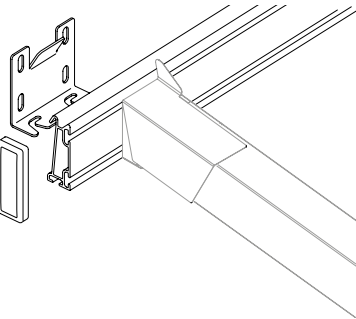
**Add-on Runner**

**OPT** — PERGOTENDA® B-SPACE runner complete with pillar 4.7 in x 4.7 in, stainless steel supports, sliders, support tube joints, central transmission shaft with bushes.



**Add-on Intermediate Support Tube**

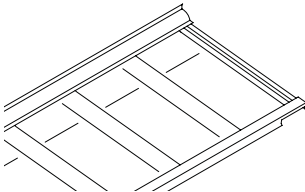
**OPT** — Complete intermediate support tube with endcaps, joints (where present) and intermediate sliders.



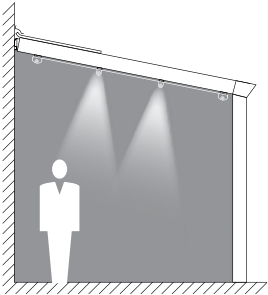
**Wall Beam**

**OPT** — Aluminum profile for uneven walls, where standard fastening to supports is awkward; or otherwise to deal with minor bumps.

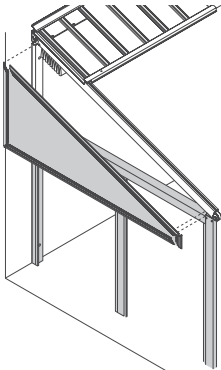
# B-SPACE FEATURES & OPTIONS



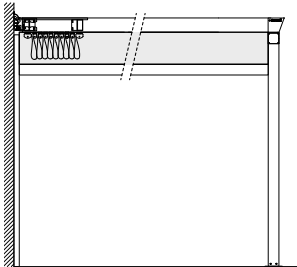
**Hood**  
**FTR** — Awning Protective Hood.



**Lights**  
**OPT** — LED light system integrated into canvas-holding tubes.



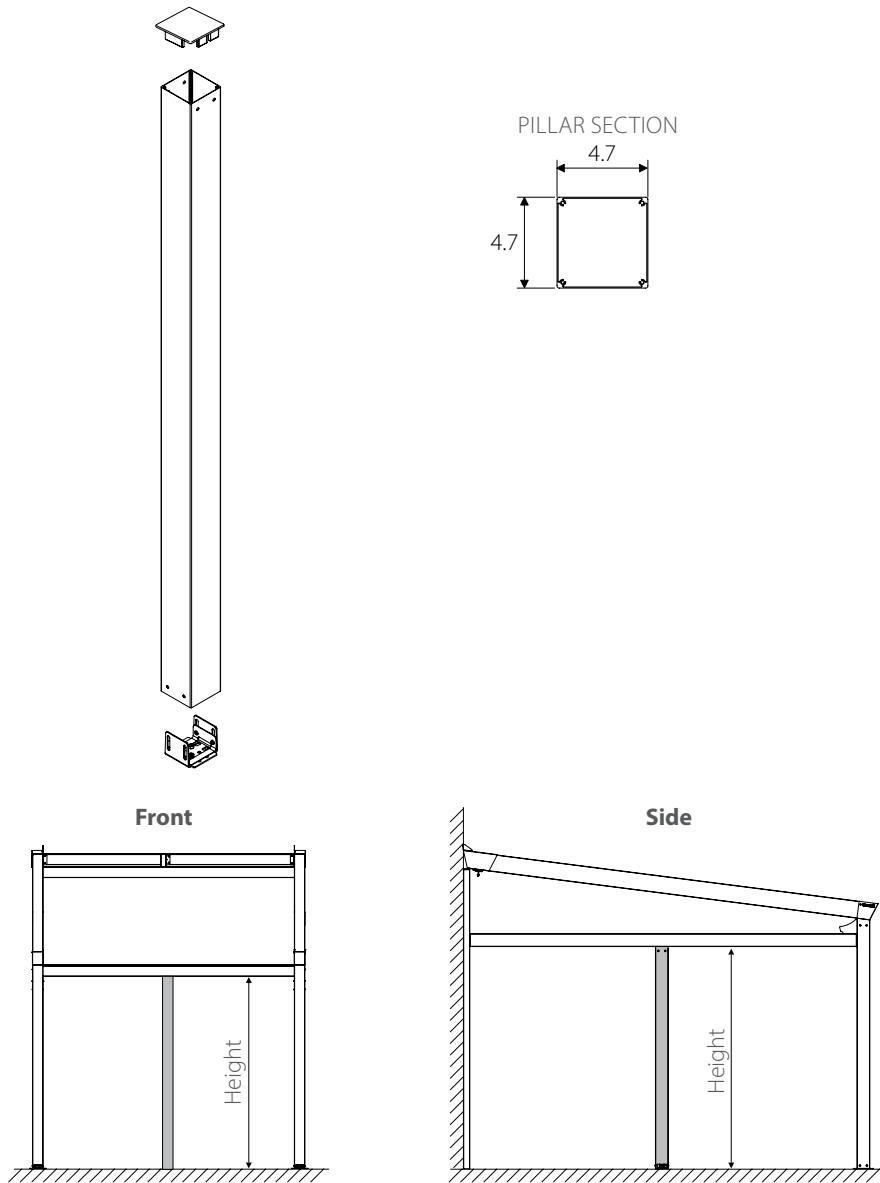
**Gable**  
**OPT** — B-Space gable kit with fabrics on demand (see fabrics table), vertical wall beam, intermediate pillar, lateral horizontal beam (see table).



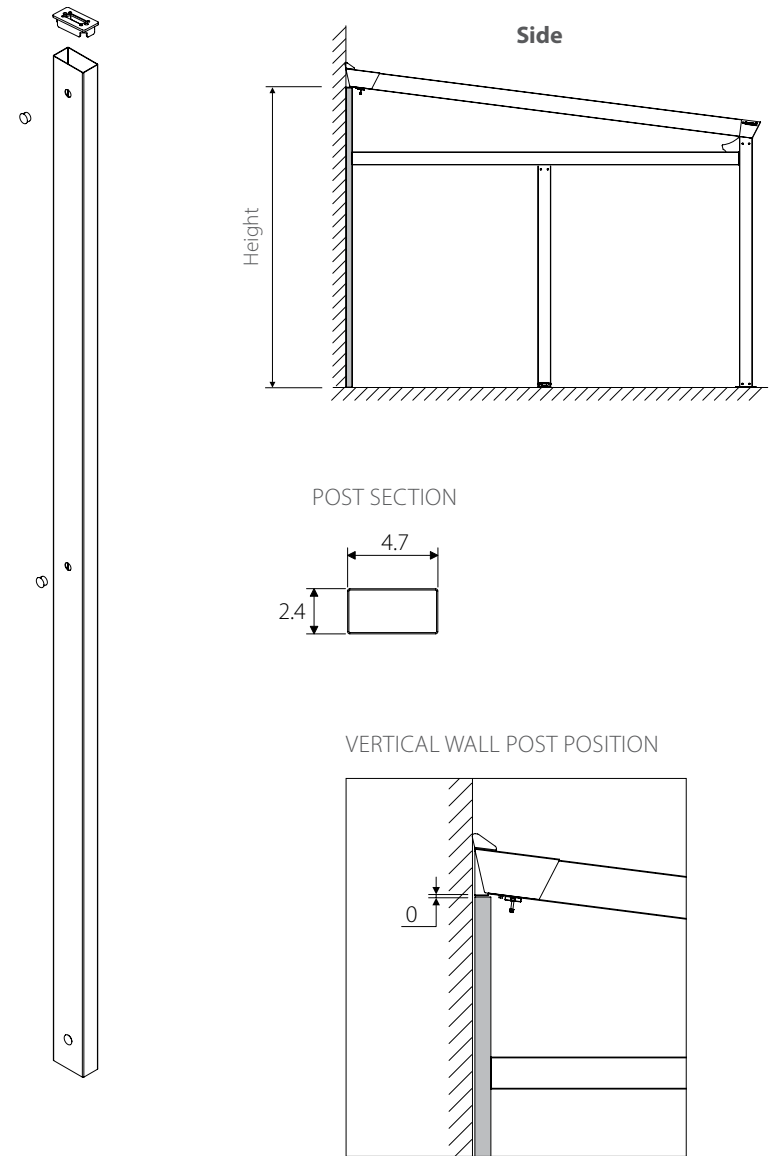
**Board**  
**OPT** — White satin finish methacrylate panel or aluminium same as structure.

# B-SPACE ADDITIONAL INTERMEDIATE PILLAR & VERTICAL WALL POST

## ADDITIONAL INTERMEDIATE PILLAR

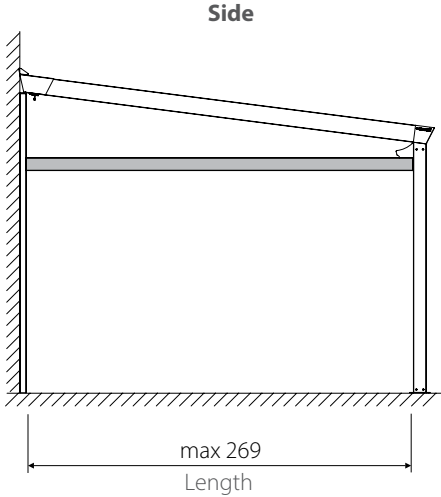
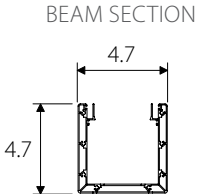
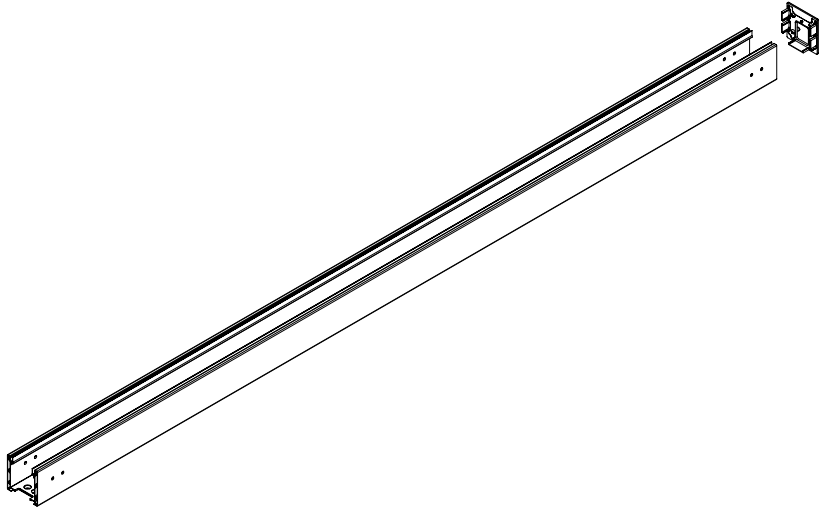


## VERTICAL WALL POST

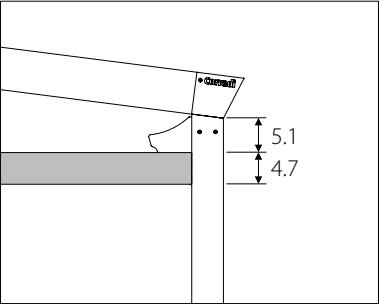


All measurements are given in inches.

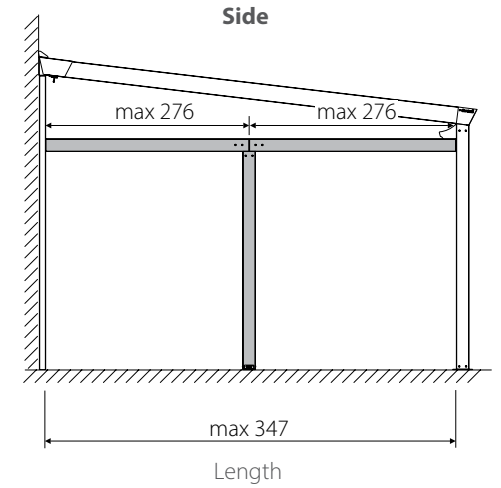
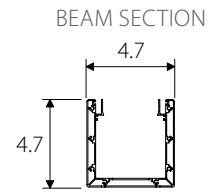
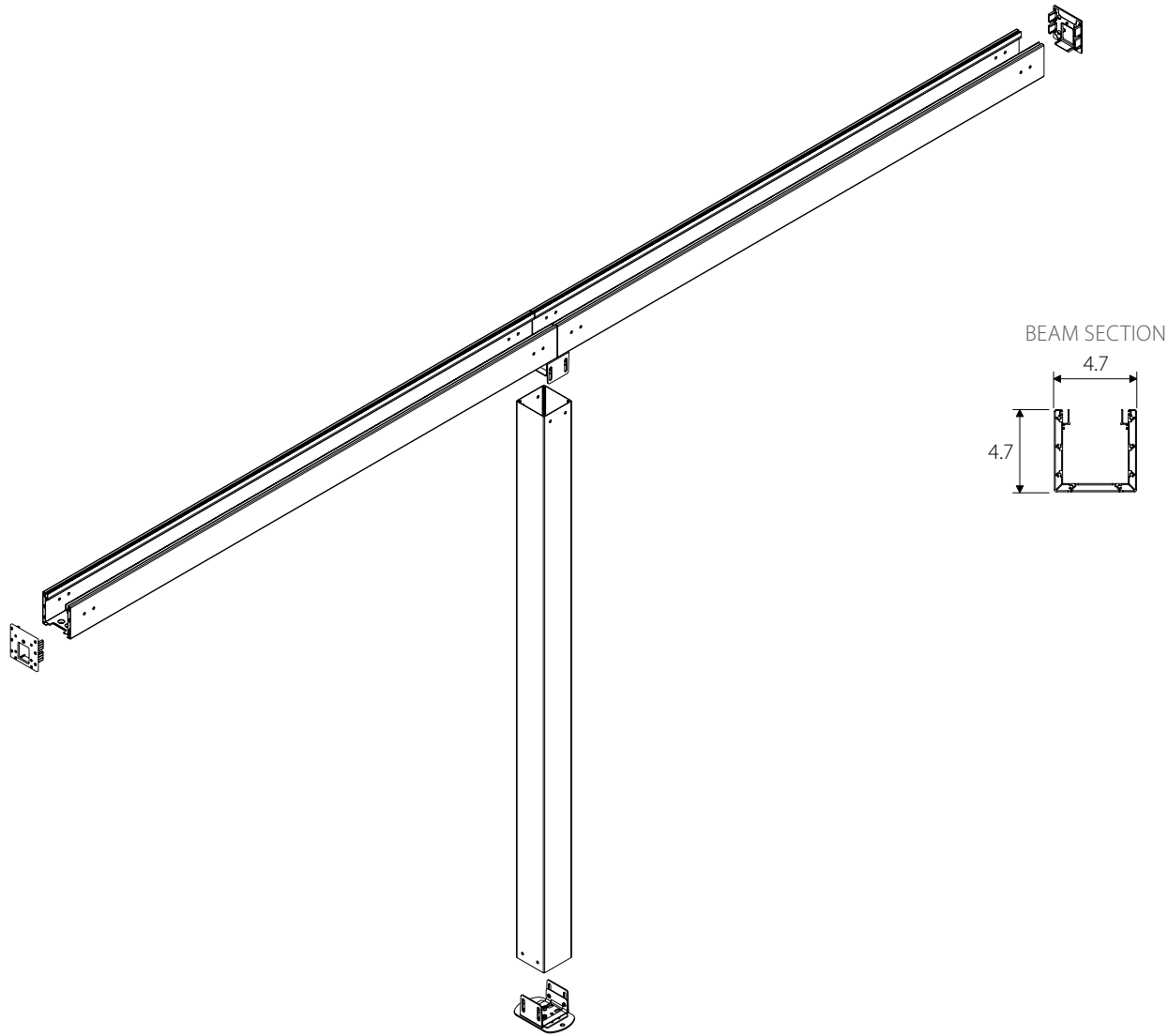
# B-SPACE SIDE HORIZONTAL BEAM < OR = 276 IN PROJECTION



HORIZONTAL BEAM  
POSITION PITCHED



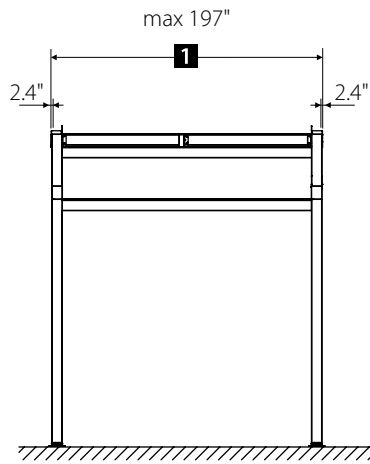
# B-SPACE SIDE HORIZONTAL BEAM > 276 IN UP TO 354 IN PROJECTION



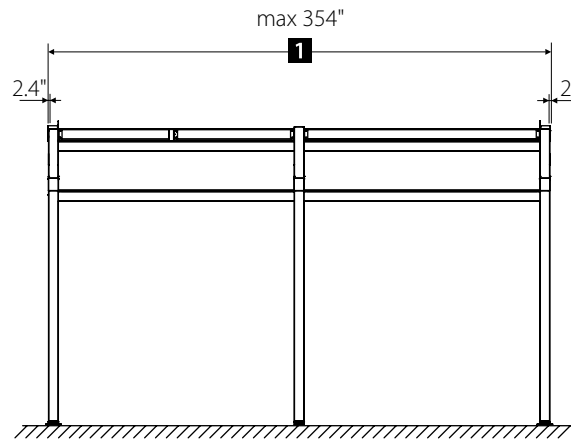
*All measurements are given in inches.*

# B-SPACE PITCHED

FRONT VIEW



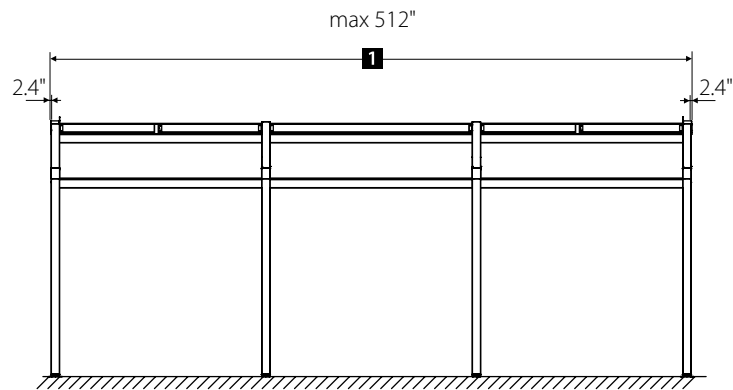
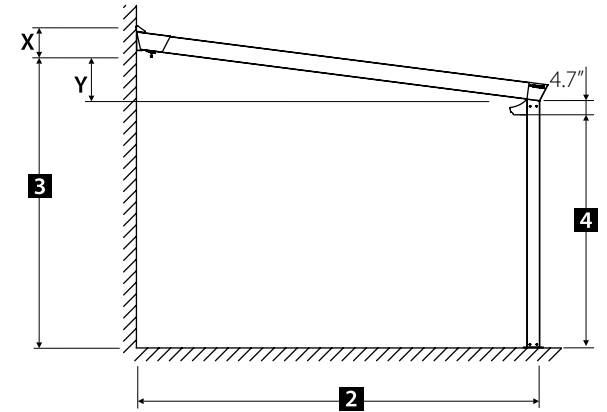
2-RUNNER



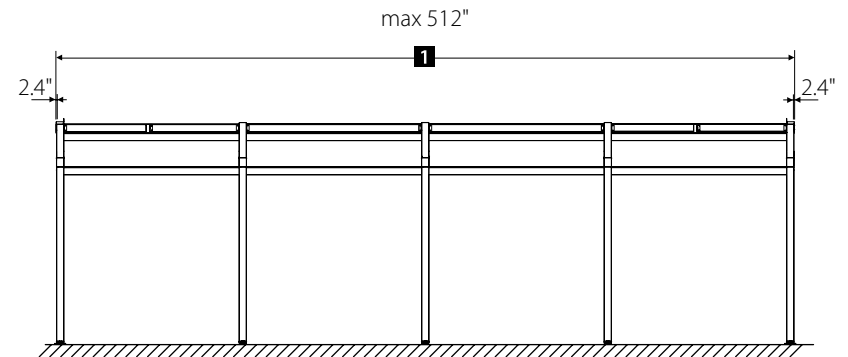
3-RUNNER

SIDE VIEW

X = 9.1" Wall Mounting  
X = 7.1" Overhead Mounting  
Y = Rise



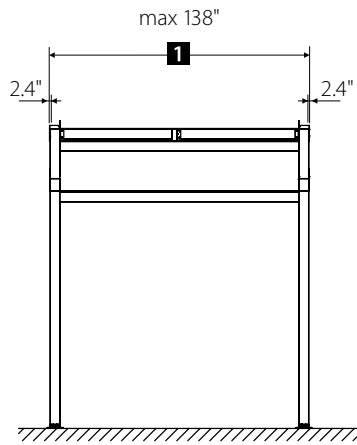
4-RUNNER



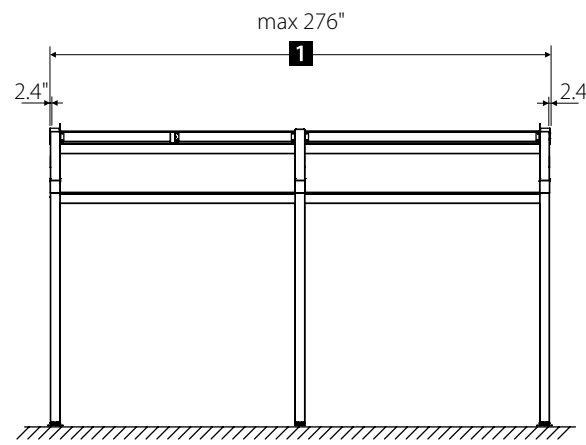
4-RUNNER

# B-SPACE FLAT

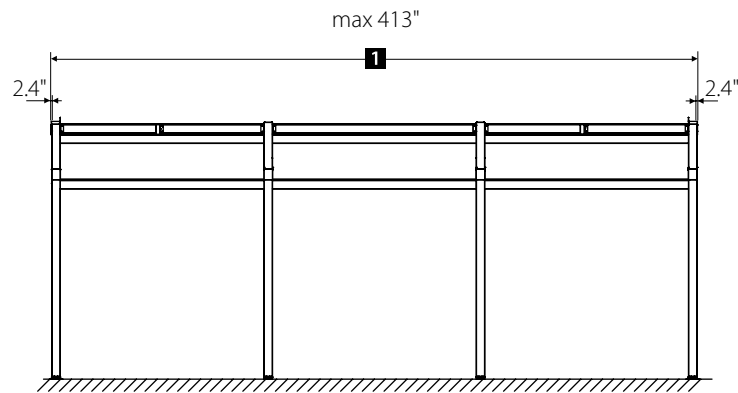
FRONT VIEW



2-RUNNER



3-RUNNER



4-RUNNER

SIDE VIEW

X = 9.1" Wall Mounting

X = 7.1" Overhead Mounting

