



Pergotenda® 60: one of Corradi's classic outdoor retractable covering systems. Timeless and versatile, it perfectly blends in with a wide variety of settings.



STANDARD COLOUR CHART

WOOD SYSTEMS (Arko, PT45, PT60, PT100)



Chestnut

*more options available with up-charge

ALUMINUM SYSTEMS (Impact, Iridium, Millenium)



White

Brown



Anthracite

Clear Anodized

*more options available with up-charge

KUBO



White

Brown



Clear Anodized

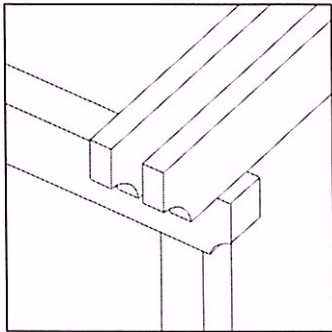
*more options available with up-charge

COMPONENT COLOURS

Canvas and Tubes



PT 60 FEATURES



PT 60 is a retractable cover system custom made to protect against sun and rain (not suitable to support snow), affixed to a supporting wall. It consists of a laminated wood structure and a folding canvas. Pitched versions have guaranteed wind resistance of grade 8 on the Beaufort scale while flat versions have grade 6 resistance (above class 3 - UNI EN 13561). The canvas, made from exclusive Corradi Eclissi* fabric, available in white, grey and ivory, is an opaque laminated PVC and has a side embossed with weft effect. The fabric is supported by intermediate supporting tubes

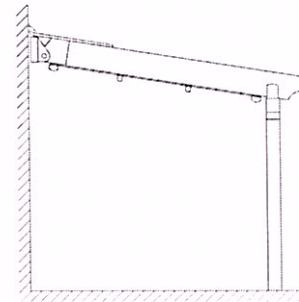
(section: 1.6x2 inches) and terminal bars (section: 3.2x2 inches) set parallel to one another every 24 inches approximately on pitched version and every 20 inches approximately on flat version. The canvas moves by sliding on the runners (section: 2x3.5 inches) on carriers with 6 asymmetrical wheels with a capacity of about 1000 lbs each. The toothed transmission belt has stainless steel cables and resists a saline environment: the tensile strength is of 2000 lbs at break: the transmission belt is inserted in each runner, controlled by the drive pulley and a single drive shaft that guarantees the smooth movement of the canvas.

The PT60 system is set in motion by a radio-controlled motor. The structure, in autoclave treated Scandinavian pine wood (class 3 - UNI EN 335-3), is available in 1.8x6 – 2.4x8.6 – 4.8x7 – 4.8x4.8 inches sections with natural finish or in the following colors: chestnut (standard), walnut, anthracite, white or in RAL color (at an additional price). The aluminum runners, concealed in the wood rafters come in: brown, anthracite, white; the support tubes are available in: white, ivory and grey to match with the Eclissi fabric. The aluminum extrusions are painted with certified Qualicoat cycle epoxy powders.

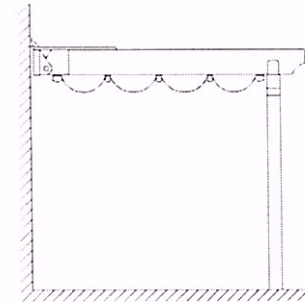
Hardware and accessories are in AISI 304 stainless steel and 10/10 aluminum protective covers in: brown, anthracite, white, grey, ivory and Alusteel.

* See Corradi fabric catalog for other fabrics available.

PITCHED
Version



FLAT
Version



MAXIMUM DIMENSIONS inches

	Width	Projection
2 runners	177	307
3 runners	354	307
4 runners	512	307

MAXIMUM DIMENSIONS inches

	Width	Projection
2 runners	138	315
3 runners	276	315
4 runners	413	315

WOOD IN RAL
COLOR OF
YOUR CHOICE*

* With every supply of PT60 in a RAL color 1 qt. of paint free of charge for future retouching will be supplied.

PT 60 2 RUNNERS

motor

modular awning protective cover

crossbeam 1.8 x 6.1 for protective cover support

canvas

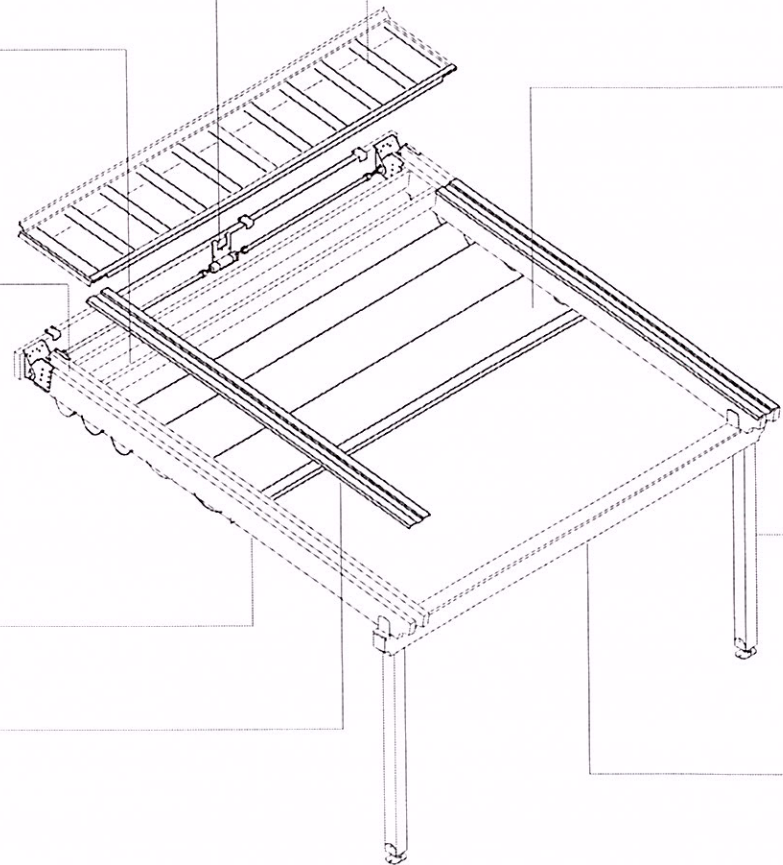
runner

supporting beam pair 2.4 x 8.7

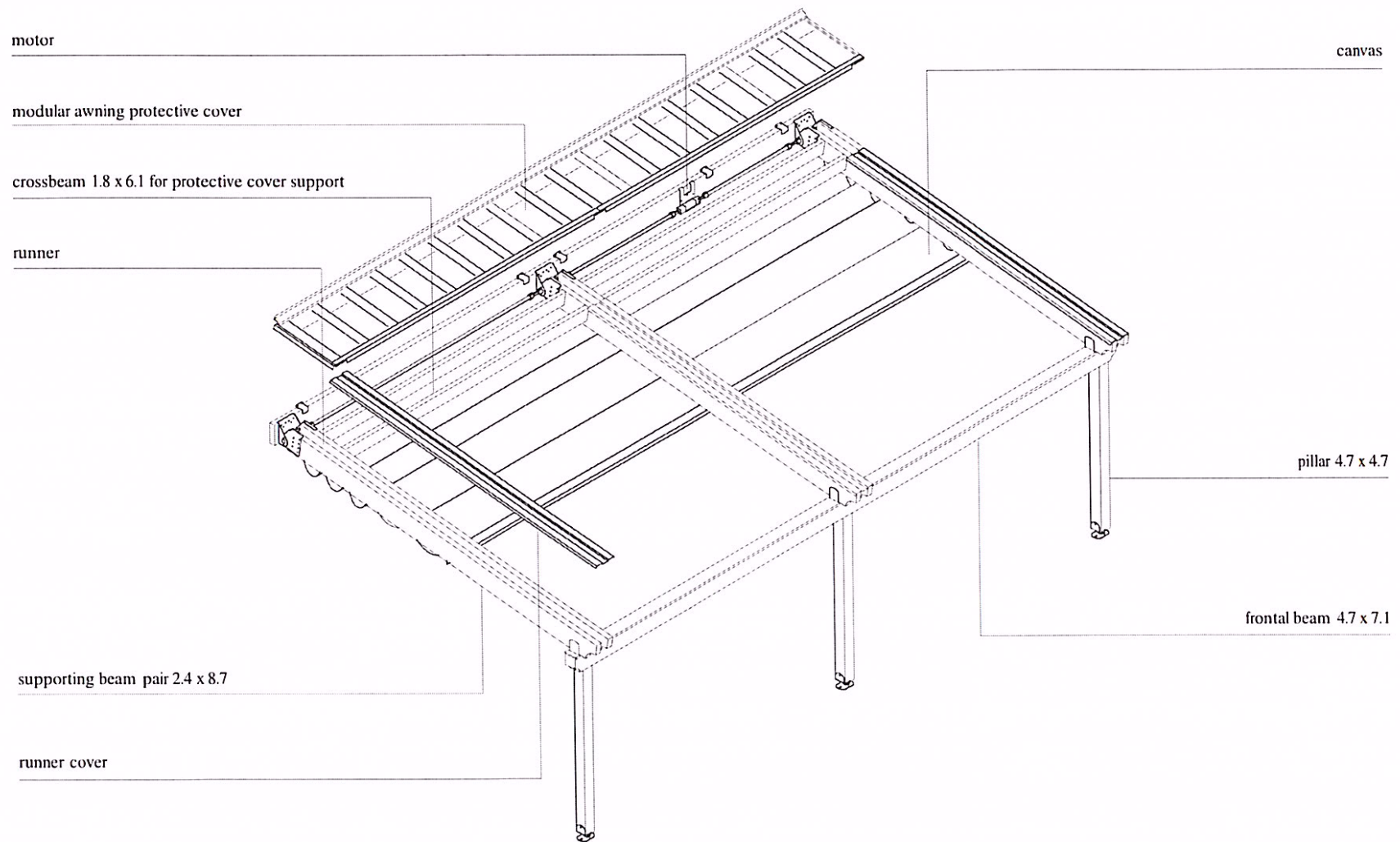
pillar 4.7 x 4.7

runner cover

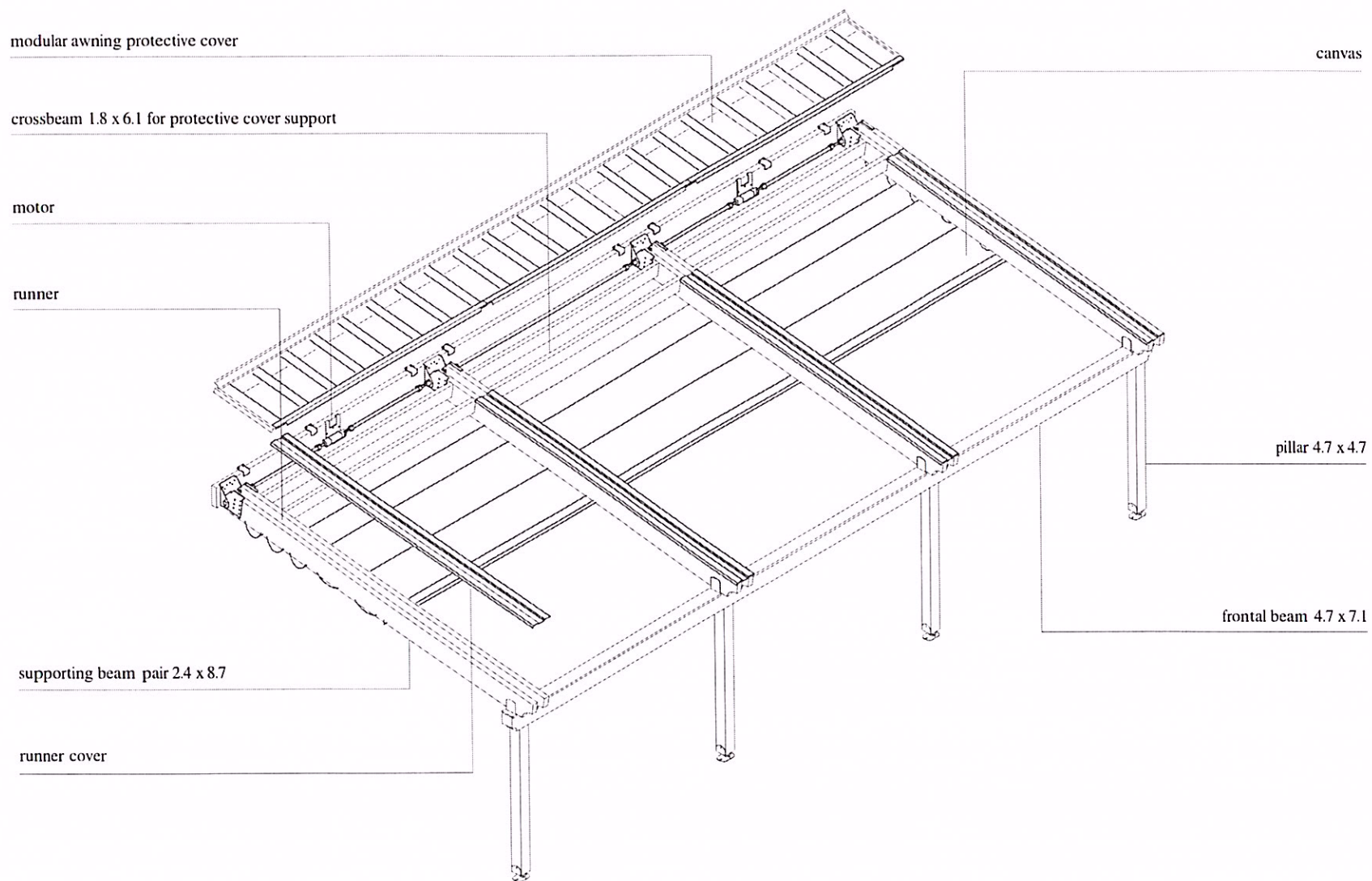
frontal beam 4.7 x 7.1



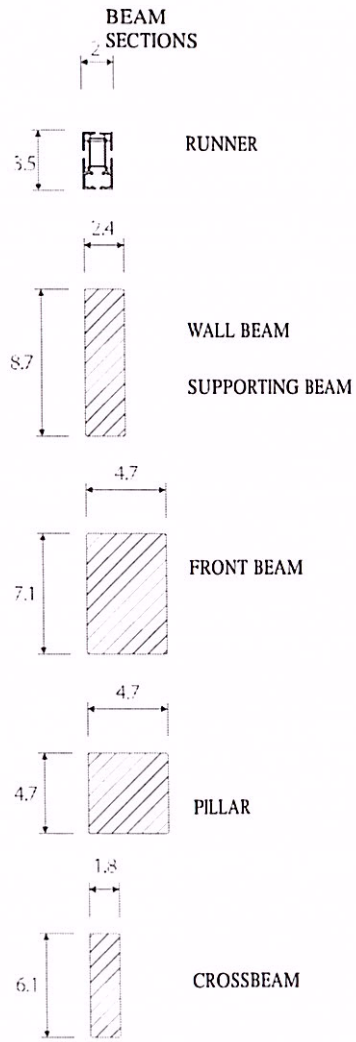
PT 60 3 RUNNERS



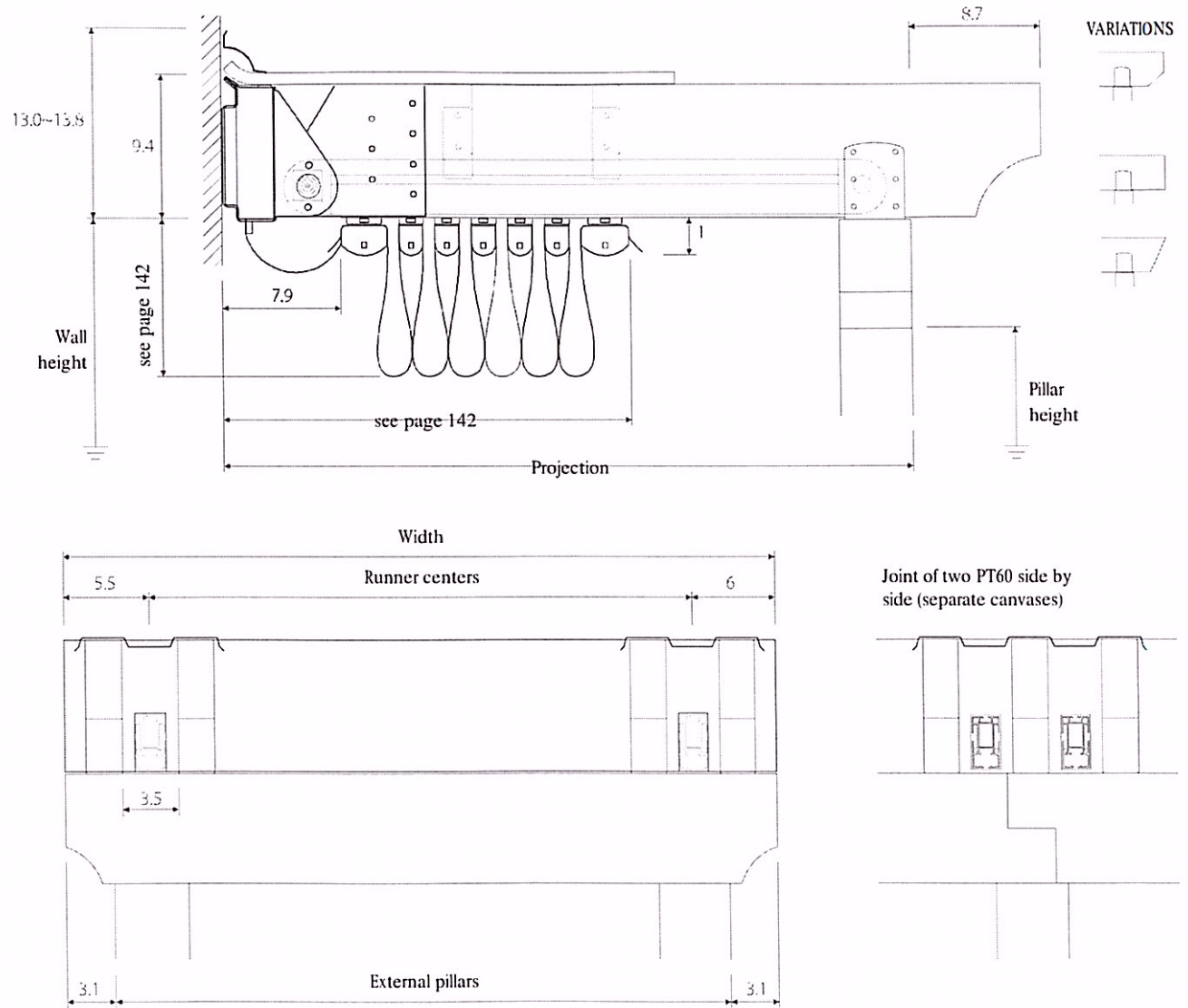
PT 60 4 RUNNERS



PT 60 DIMENSIONS

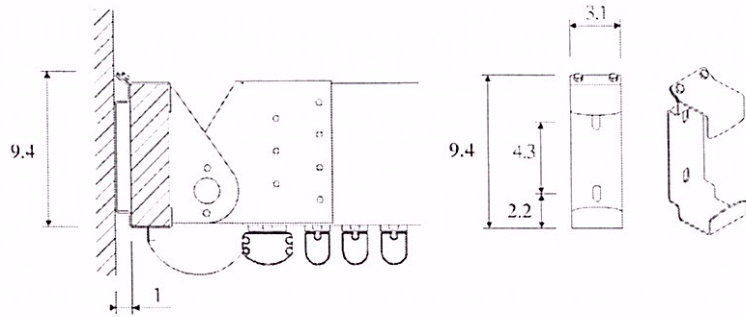


All measurements are given in inches.

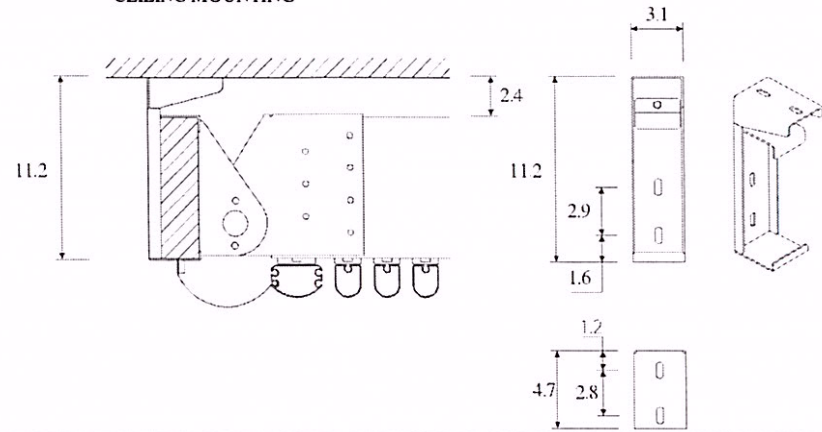


PT 60 MOUNTINGS

WALL MOUNTING

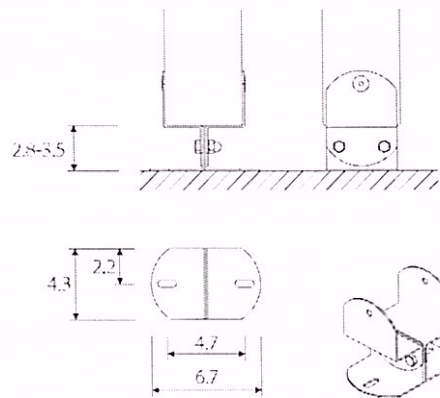


CEILING MOUNTING

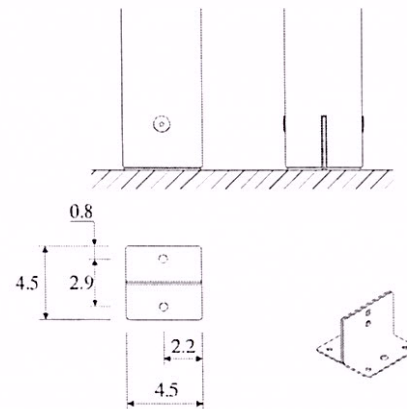


FLOOR MOUNTING

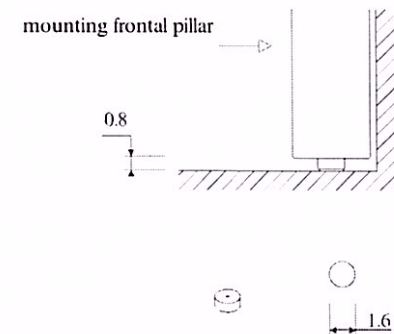
ADJUSTABLE FOOT



HIDDEN FOOT



FLOOR SPACER

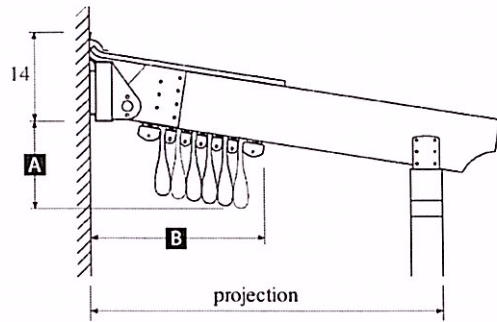


All measurements are given in inches.

PT 60 CANVAS SWAG

Pitched version

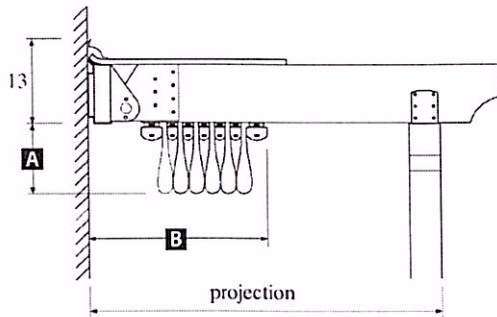
Minimum values of the swag of the folded awning for the pitched version (8.5° angle). The figures written in bold type refer to the canvas swag with standard support tubes and the following refer to the use of additional tubes.



PROJECTION inches	SUPPORT TUBES TOTAL NUMBER											
	6	7	8	9	10	11	12	13	14	15	16	
135	13.8	12.2	11									
159		14.2	12.6	11.8								
182			14.2	13.4	12.6							
206				14.6	13.8	13						
229					15	14.2	13.8					
252						15.4	14.6	14.2				
276							15.7	15	14.6			
299								16.1	15.4	15		
307									16.5	15.7	15.4	
	24	26	29	31	33	35	38	40	43	45	47	

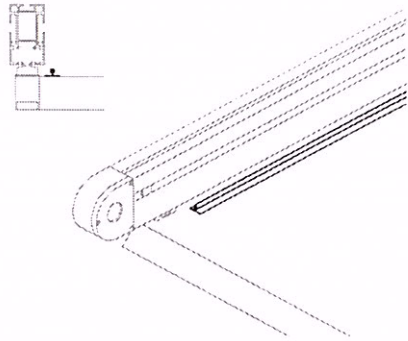
Flat version

Minimum values of the swag of the folded awning for the flat version. The figures written in bold type refer to the canvas swag with standard support tubes with a deflection of 6.7 inches.

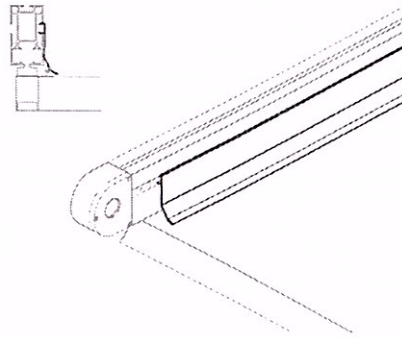


PROJECTION inches	SUPPORT TUBES TOTAL NUMBER									
	8	9	10	11	12	13	14	15	16	17
156	11									
176		11								
195			11							
215				11						
235					11					
254						11				
274							11			
294								11		
313									11	
315										11
	30	32	34	37	39	41	44	47	50	53

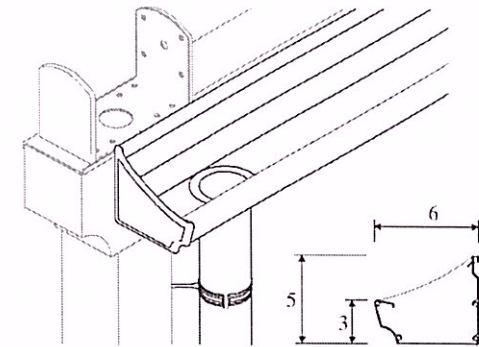
All measurements are given in inches.



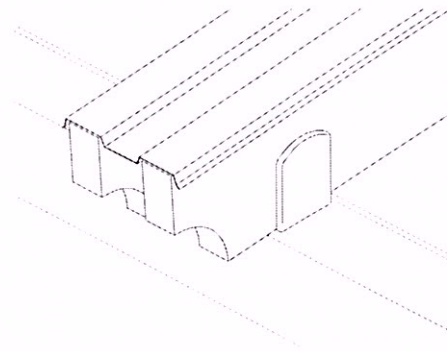
S1 Antidrip system
Weldable pvc profile on the upper part of the canvas for lateral rainwater prevention.



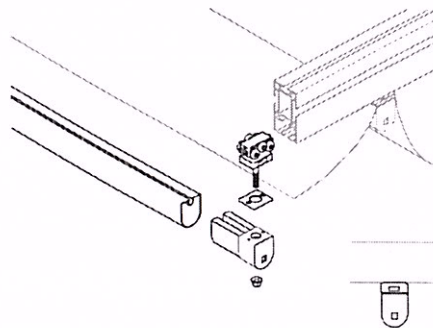
S2 Antispray profile
Pvc profile pressed on the lateral side of the runner for retention of rainwater spray. Always in addition to the antidrip system **S1**



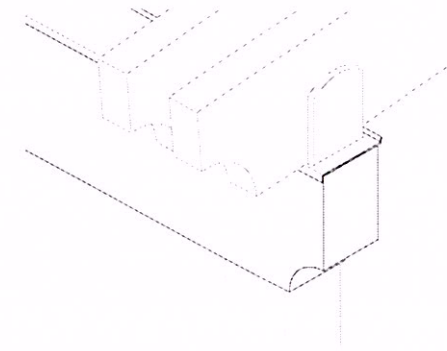
S3 Frontal gutter
Extruded aluminum profile for rainwater collection, only for pitched versions. Down pipes (1 about every 236 inches) and accessories included.



S4 Add-on runner
PT60 runner complete with pair of supporting beams 2.4 x 8.7, stainless steel supports, Impact runner system, carriers, support tube joints, central transmission shaft with bushings. Pillars excluded.



S5 Add-on intermediate support tube
Complete intermediate support tube with intermediate stopper, joints (where present) and intermediate carriers.



S12 Larger front beam
Increase of frontal beam size up to 4.7 x 9.4.