

Feng



FENG

Feng is an awning that breaks the patterns of the shading industry with its fully enclosed circular cassette.

Completely unique, Feng is unparalleled and stands out for its distinctive round design. It is made to create spacious shade to enjoy moments of relaxation in total freedom. During the day it gives shade; at night it is illuminated with LED lights, that can be installed in the Cassette as well as arms, to accompany summer evenings and astonish guests.

Feng is wall-mount only and is always motorized. The Dynamic Tilting (DTS) system allows the tilting of the support when the awning is retracting, maintaining a perfect closure of the cassette. The special gasket along the length of the front bar makes the awning watertight and ensures silent closure. The Urban arm design features the innovative Dynamic Arm Tensioning (DAT) system, which helps to protect the traction mechanism

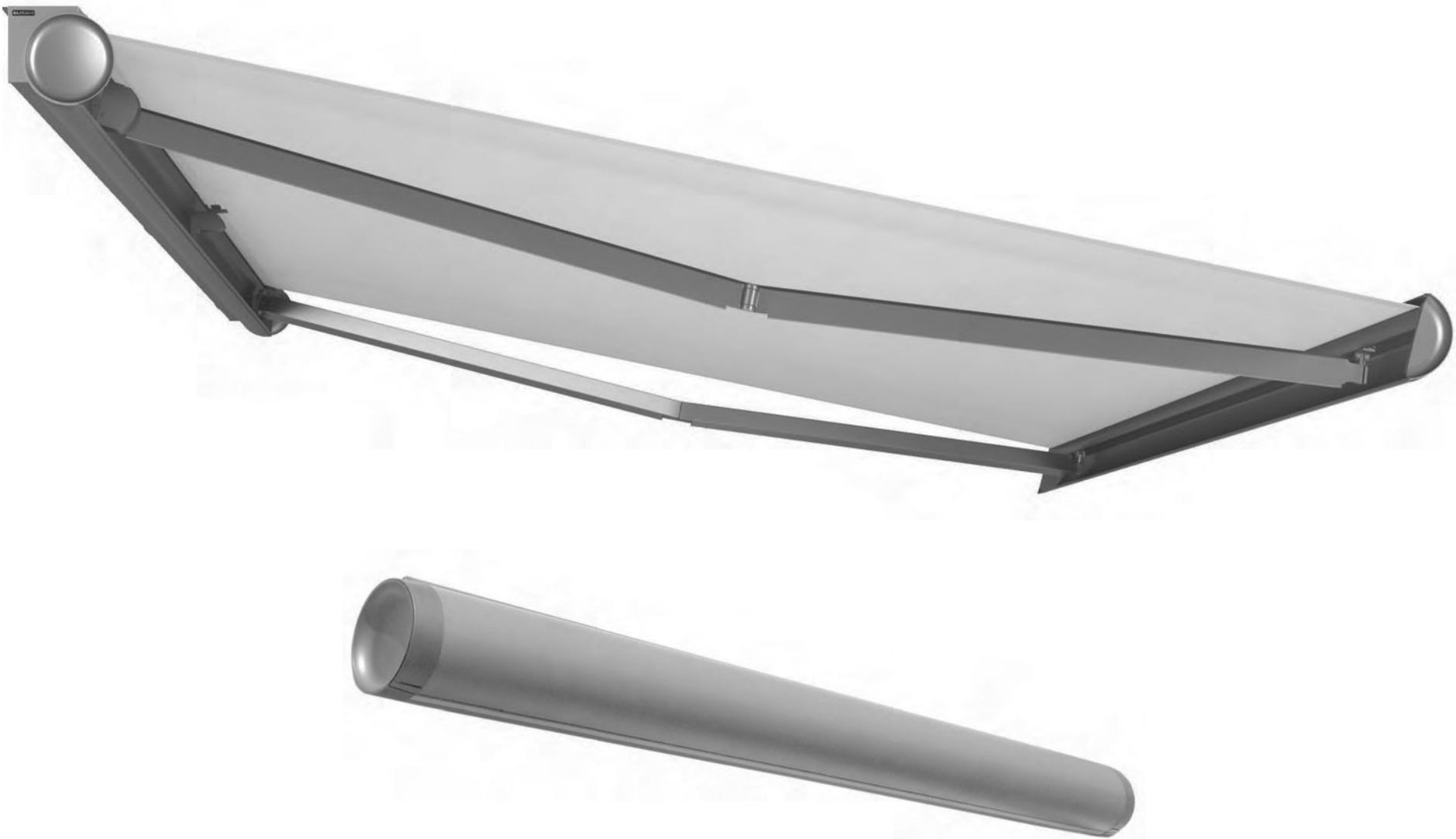
and to prevent fabric tears. Pitch adjustment is available from 3° to 45°. The micrometric regulation of pitch allows for easy and precise adjustment.

Feng is always motorized, with the Somfy Orea torque sensing motor, and easy to control with either remote or wall switch. Strong and resistant, Feng meets demands for reliability. Quality is its essence and its guarantee, as proven by the winning of the Good Design Award.

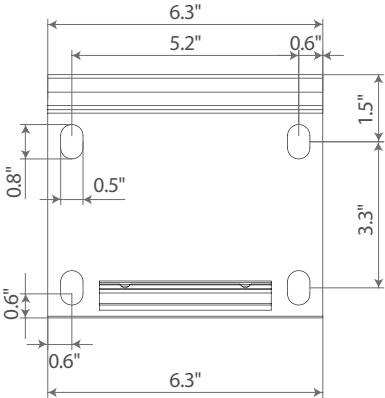
Standard Frame colors available for the Svet are White Quartz, Granite, Corten, & Carbon—all finishes are matte. A complete line of awning fabrics is available, featuring our Para Tempotest line of 100% acrylic awning material. The Feng is patented in both technology and design.

SUMMARY

Retractable arm awning with cassette
 Pitch ranges between 3° and 45°
 Continuous micrometric regulation of pitch
 Urban arm design
 Dynamic Arm Tensioning (DAT) System
 AcquaStop system
 Stainless steel hardware
 Wall mount only
 Motorized only (Somfy Orea)
 Red Dot Design Award winner
 Standard matte frame colors—
 White Quartz, Granite, Corten, & Carbon
 Patented design

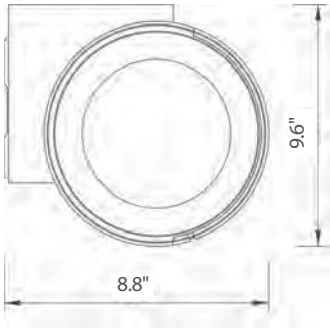


FENG WALL BRACKET

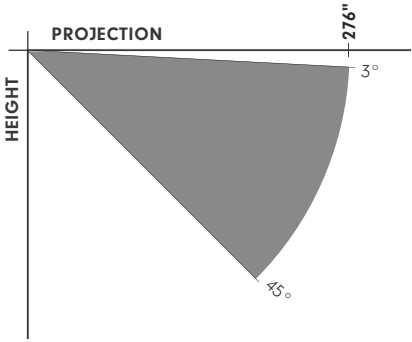


FENG PROFILE DIMENSIONS WITH FOLDED ARMS

Wall mount



PROJECTION & PITCH*

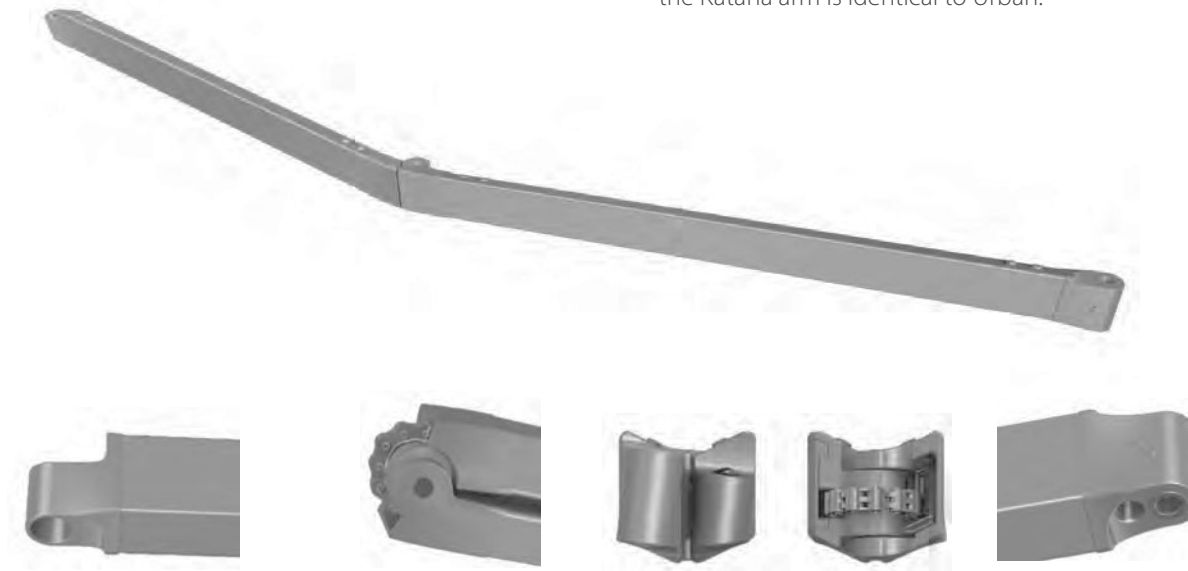


3° minimum pitch
45° maximum pitch

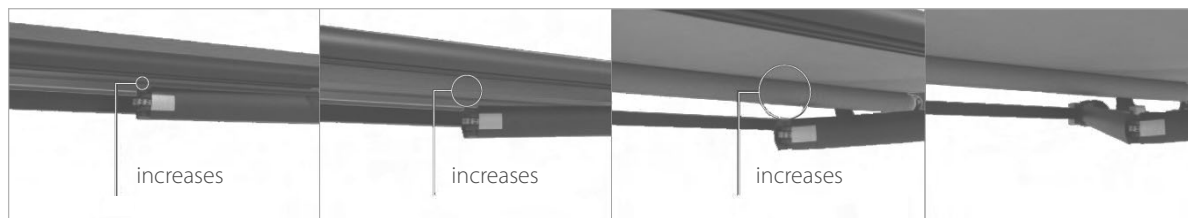
Feng uses the Urban arm featuring the DAT system.

Urban arms are the essence of advanced technology and fine Italian design. No compromise on performances and details. An unprecedented retractable arm of unique design with raw materials of highest quality and the advanced technology of the DAT system come together to make the Urban arm a masterpiece in the world of shading.

Katana arms are specifically designed for larger projections (11'6" and 13'6") using extruded profiles with thicker internal walls and reinforced die-cast ends and elbows that enter approximately 4 inches deeper into the extrusions than the Urban arms. All of Katana's differences are internal as the exterior look and smooth function of the Katana arm is identical to Urban.



Due to the interaction of the arm with the rear arm bracket, the distance between fabric and arm increases when deployed to protect the fabric.



ARM SIZE & WIDTH RANGE

Maximum width

Projection*	Max. width	Style
6'6" (78")	276" / 23'	Urban
8'4" (100")	276" / 23'	Urban
10' (120")	276" / 23'	Urban
11'6" (138")	276" / 23'	Katana

Minimum width per arm count

Projection*	2 Arms	3 Arms
6'6" (78")	83"	120"
8'4" (100")	104"	152"
10' (120")	122"	180"
11'6" (138")	144"	211"

*Maximum projection indicated is intended with arms at 0° pitch, perpendicular to the mounted wall. Increasing the pitch will decrease the projection when measured in a straight/perpendicular line from the mounted wall.

LED LIGHTING

FENG offers an arm LED lighting option.



FENG also offers a cassette LED lighting option.

