



Pergotenda® Iridium, aluminum becomes weightless. Simple solid shapes, functional strength in perfect Corradi style.



CORRADI USA NEW FRAME COLORS (matte finish)

2016-2017



BEACH SAND



DUNE



GRANITE



CORTEN



URBAN BRONZE



QUARTZ WHITE



GLACIER

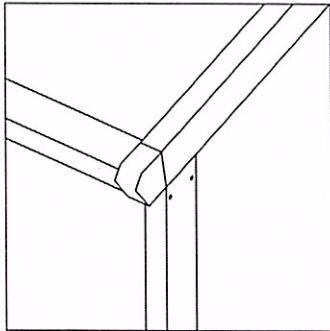


ANTHRACITE



CARBON

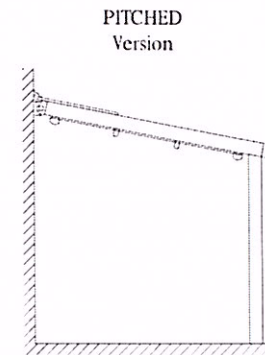
IRIDIUM FEATURES



Iridium is a retractable cover system, custom made to protect against sun and rain (not suitable to support snow), affixed to a supporting wall. It consists of an aluminum structure and a folding canvas. Iridium has guaranteed wind resistance of grade 6 on the Beaufort scale for pitched and flat version. The canvas, made from exclusive Corradi Eclissi* fabric, available in white, grey and ivory, is an opaque laminated PVC and has a side embossed with weft effect. The fabric is supported by intermediate supporting tubes (section: 1.6 x 2 inches) and terminal bars (section: 3.2 x 2 inches) set

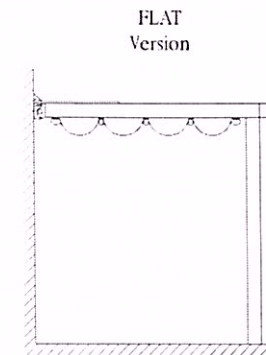
parallel to one another every 24 inches approximately on pitched version and every 20 inches approximately on flat version. It slides on runners with built-in splashguard (section 2.4 x 4.8 inches) on carriers with 6 asymmetrical wheels with a capacity of about 1000 lbs each. The toothed transmission belt has stainless steel cables and resists a saline environment; the tensile strength is of 2000 lbs at break; the transmission belt is inserted in each runner, controlled by the drive pulley and a single drive shaft that guarantees the smooth movement of the canvas. The IRIDIUM system is set in motion by a radio-controlled motor. Aluminum tubular structure 2.4 x 4.8 inches, available in: anthracite, grey, white, ivory and brown; the support tubes come in: white, ivory and grey to match with the Eclissi fabric. The aluminum extrusions are painted with certified Qualicoat cycle epoxy powders.

Hardware and accessories are in AISI 304 stainless steel and 10/10 aluminum protection covers in the same color as the structure.



MAXIMUM DIMENSIONS inches

	Width	Projection
2 runners	177	256
3 runners	354	256
4 runners	512	256

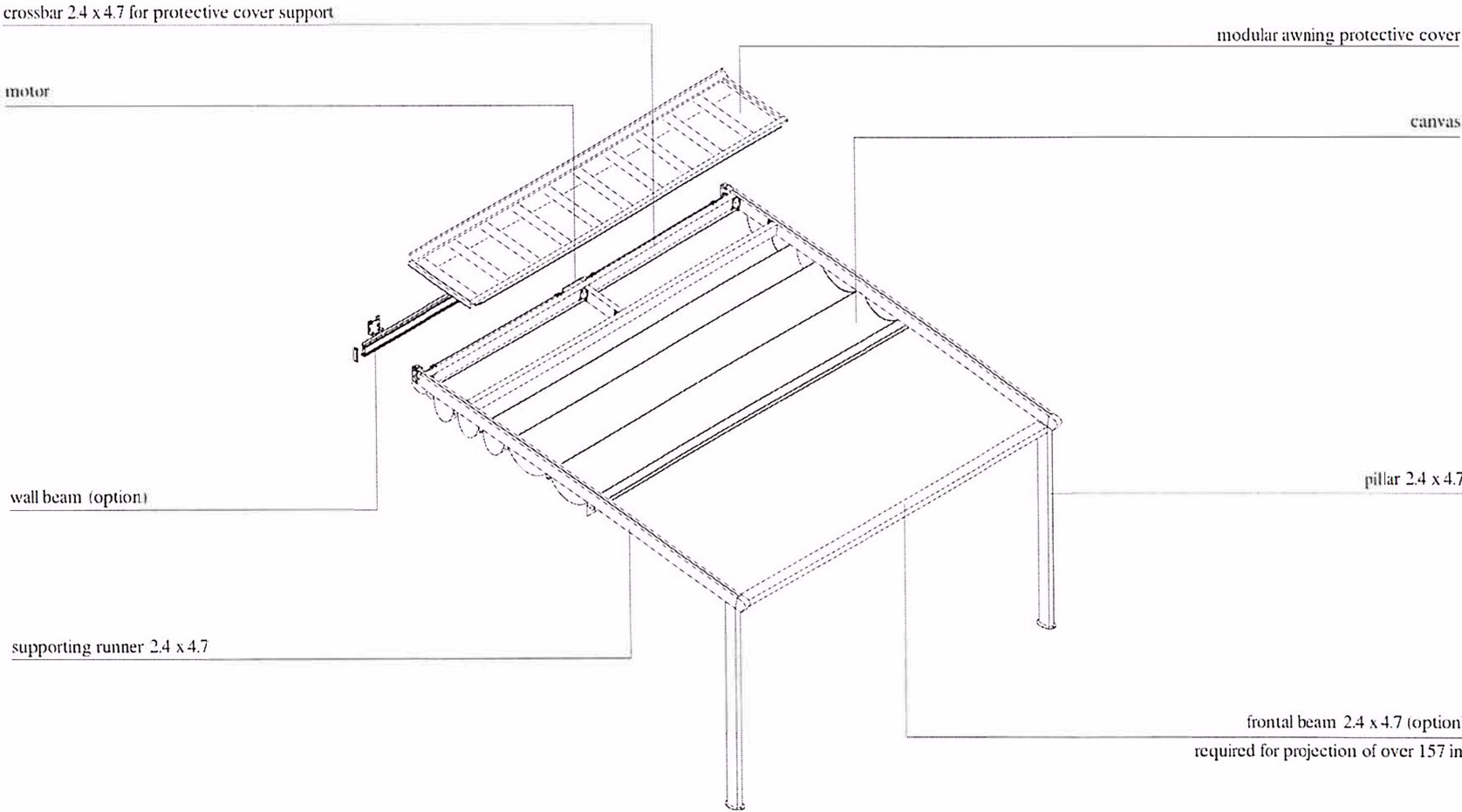


MAXIMUM DIMENSIONS inches

	Width	Projection
2 runners	138	256
3 runners	276	256
4 runners	413	256

* See Corradi fabric catalog for other fabrics.

IRIDIUM 2 RUNNERS



IRIDIUM 3 RUNNERS

motor

modular awning protective cover

crossbar 2.4 x 4.7 for protective cover support

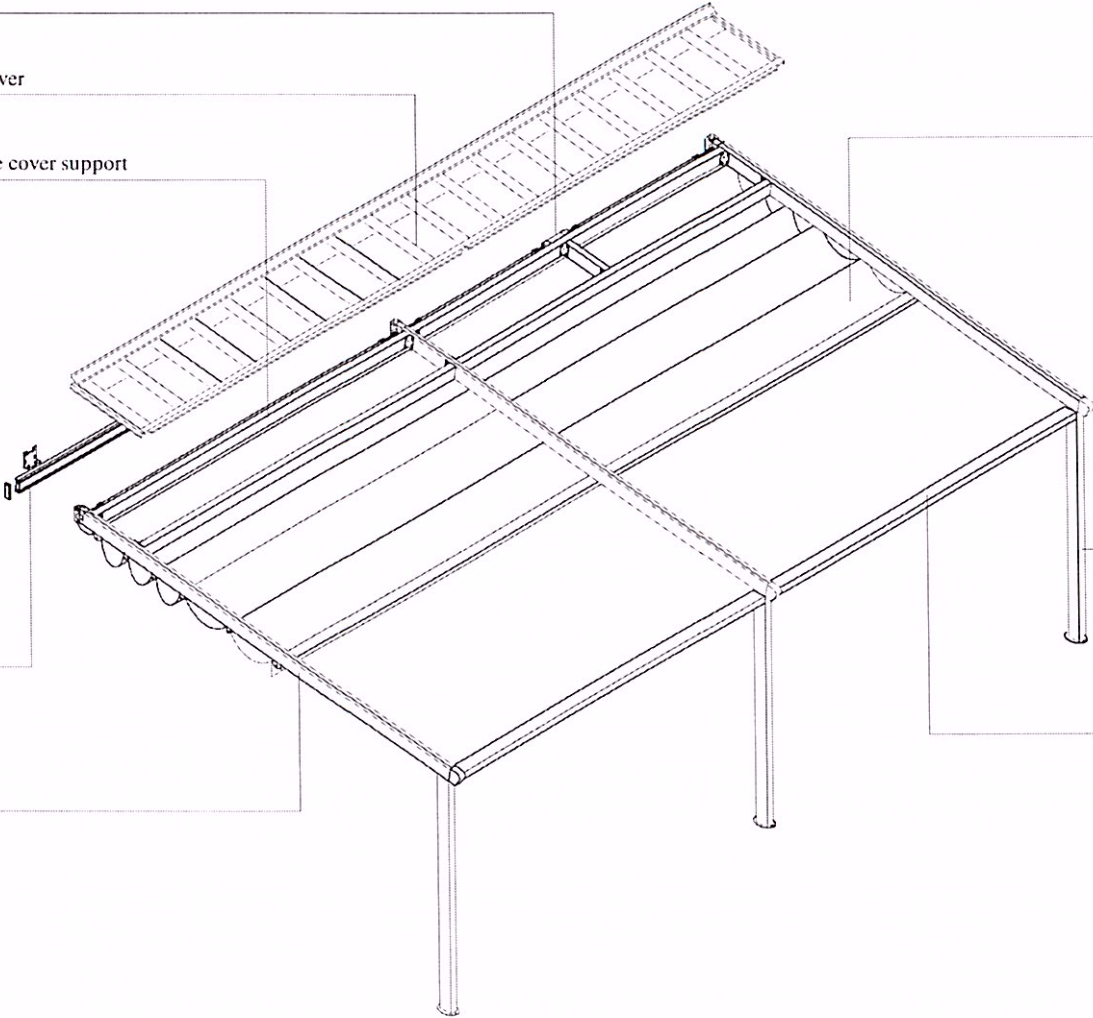
canvas

wall beam (option)

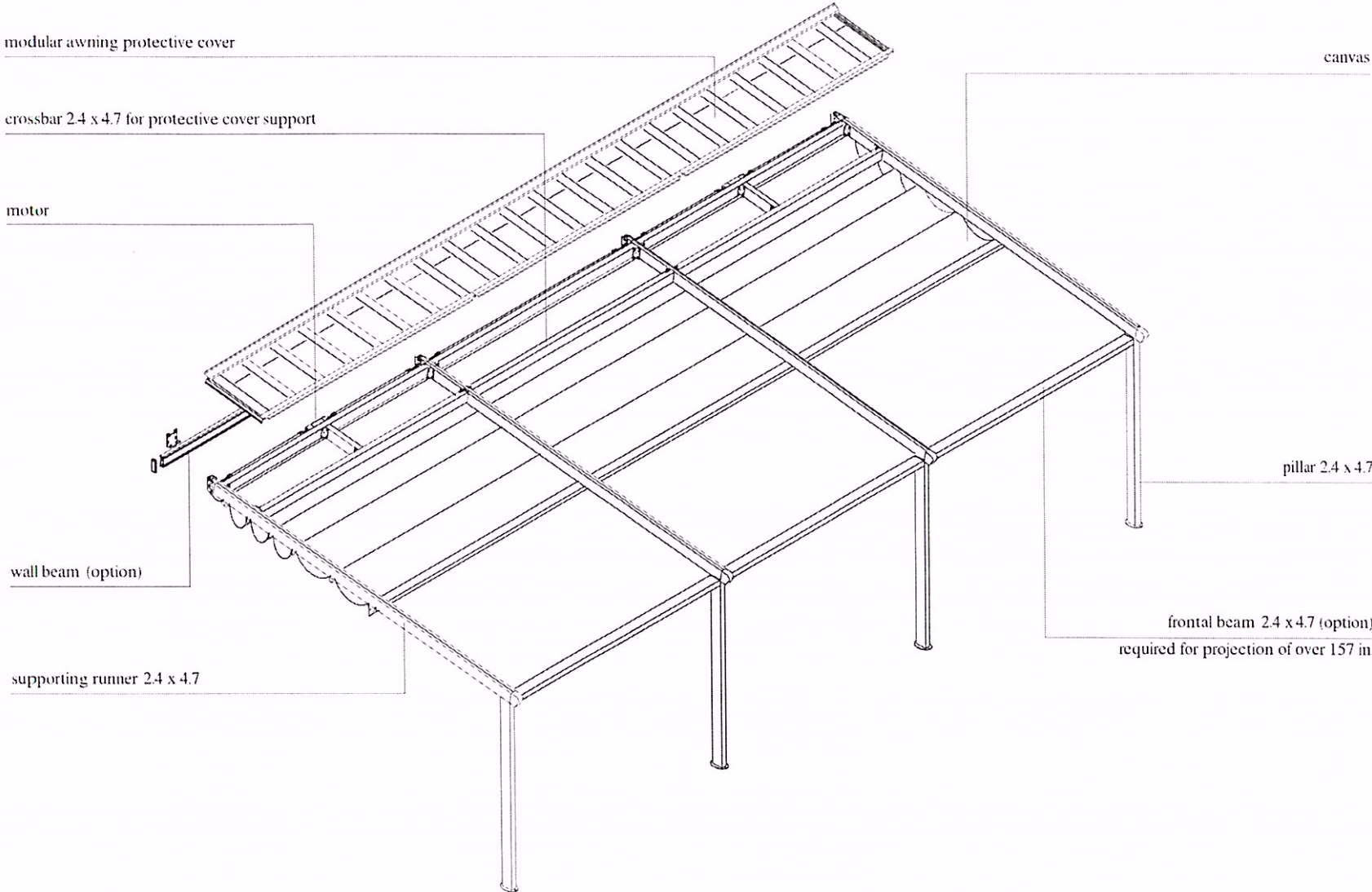
pillar 2.4 x 4.7

frontal beam 2.4 x 4.7 (option)
required for projection of over 157 in.

supporting runner 2.4 x 4.7

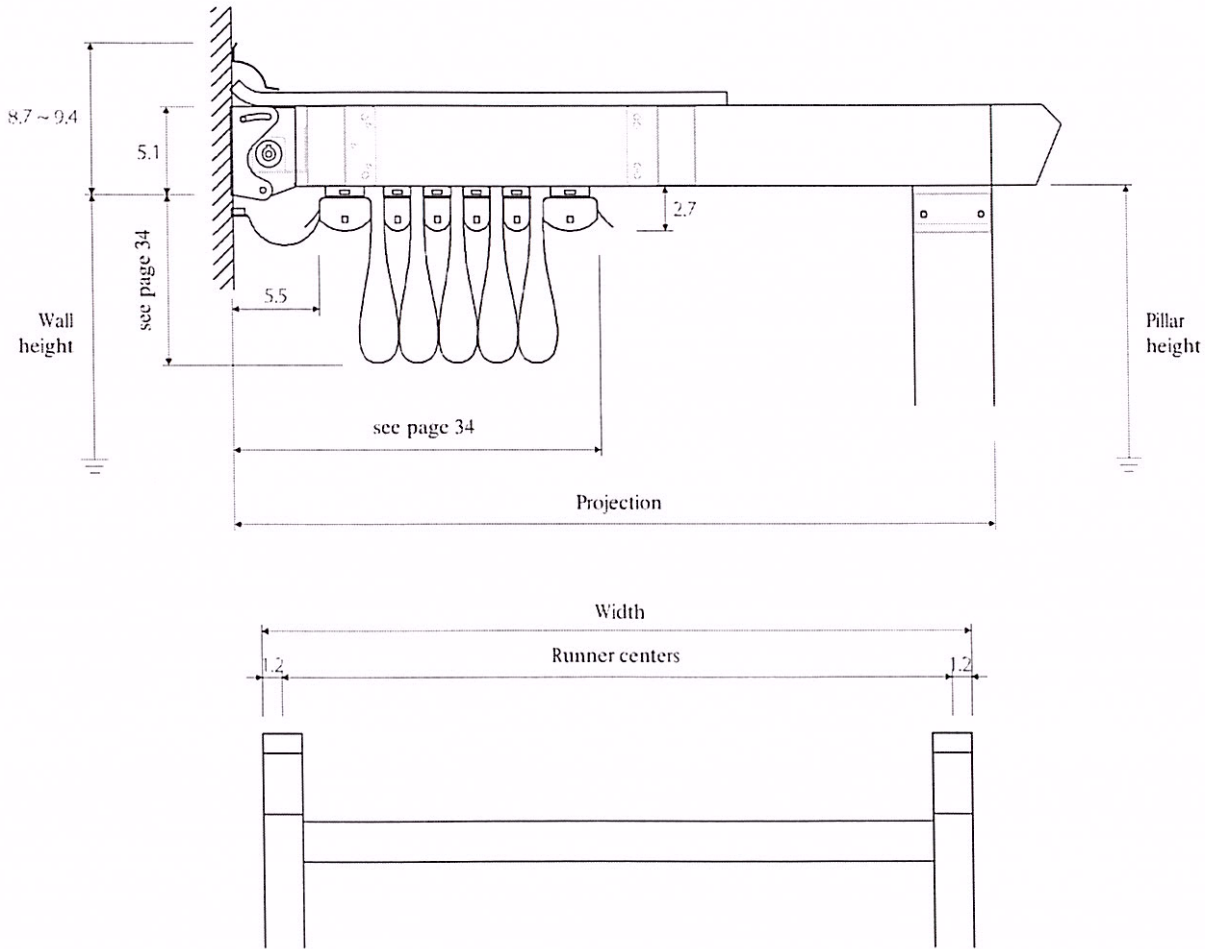
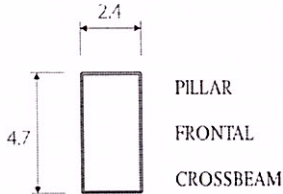
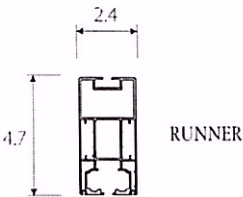


IRIDIUM 4 RUNNERS



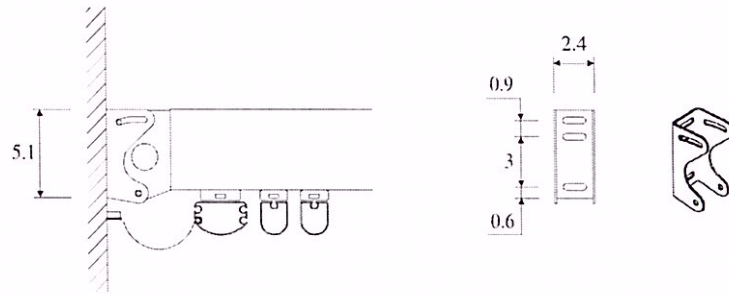
IRIDIUM DIMENSIONS

PROFILE SECTION

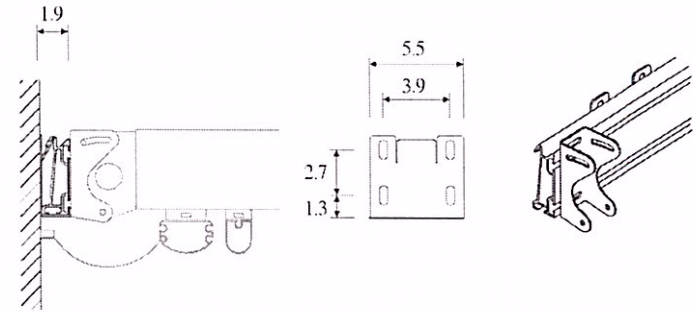


IRIDIUM MOUNTINGS

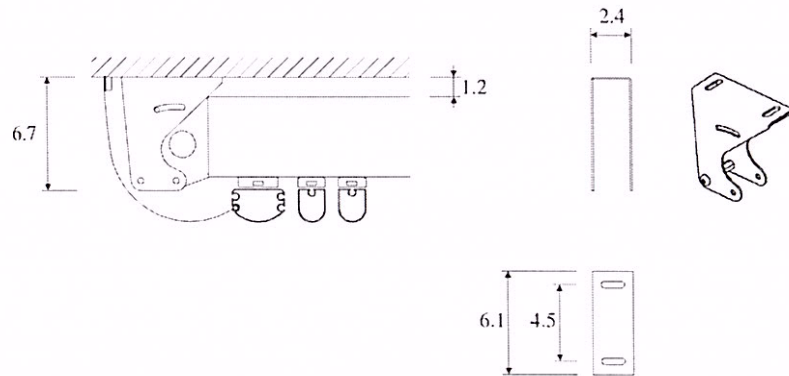
DIRECT INSTALLATION TO WALL



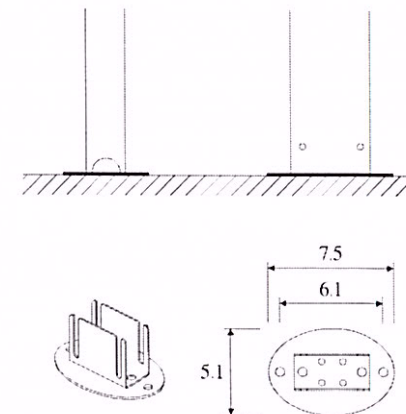
INSTALLATION TO WALL WITH BEAM



CEILING MOUNTING



FLOOR MOUNTING

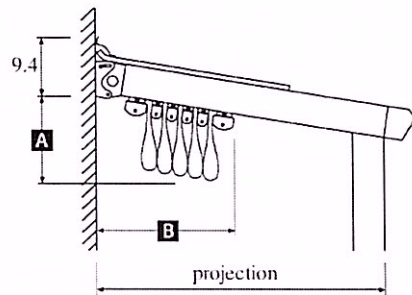


All measurements are given in inches.

IRIDIUM CANVAS SWAG

Pitched version

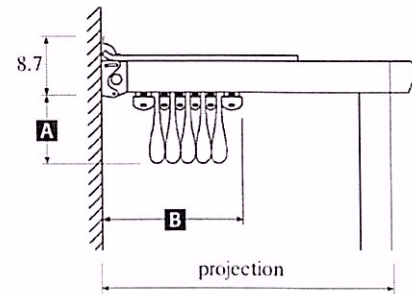
Minimum values of the swag of the folded awning for the pitched version (8.5° angle). The figures written in bold type refer to the canvas swag with standard support tubes and the following refer to the use of additional tubes.



PROJECTION inches	SUPPORT TUBES TOTAL NUMBER									
	4	5	6	7	8	9	10	11	12	13
89	12.2	9.4	8.3							
112		12.6	10.6	9.4						
136			13	11.4	10.2					
159				13.4	11.8	11				
183					13.8	12.6	11.8			
206						14.2	13	12.6		
230							14.6	13.8	13	
232								13.8	13.4	12.6
256									13.8	13.4
	15	18	21	24	26	29	32	35	37	40

Flat version

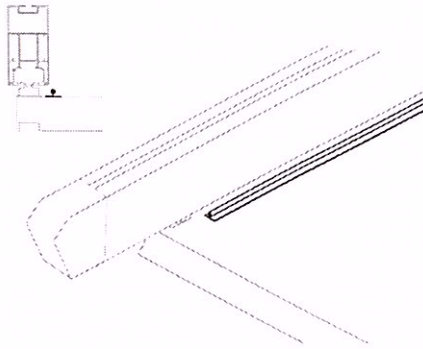
Minimum values of the swag of the folded awning for the flat version. The figures written in bold type refer to the canvas swag with standard support tubes with a deflection of 6.7 inches.



PROJECTION inches	SUPPORT TUBES TOTAL NUMBER										
	5	6	7	8	9	10	11	12	13	14	15
98	11										
117		11									
137			11								
157				11							
176					11						
196						11					
216							11				
235								11			
236									11		
256										11	
	22	25	28	31	33	36	39	42	44	47	50

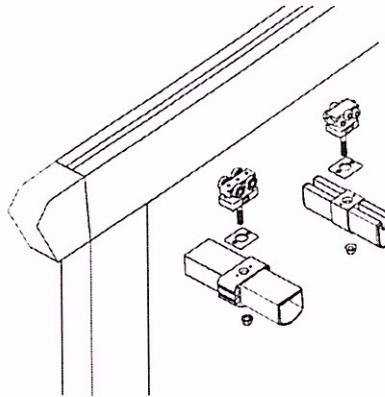
All measurements are given in inches.

IRIDIUM OPTIONS



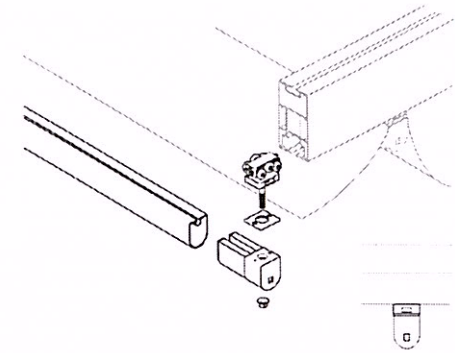
S1 Antidrip system

Weldable pvc profile on the upper part of the canvas for lateral rainwater prevention complete with antispray profile Iridium preassembled on runners.



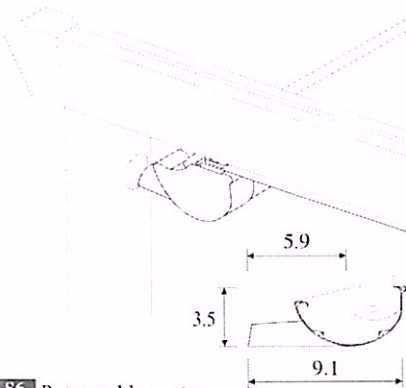
S4 Add-on runner

Iridium runner complete with pillar 2.4 x 4.7, stainless steel supports, sliders, support tube joints, central transmission shaft with bushings.



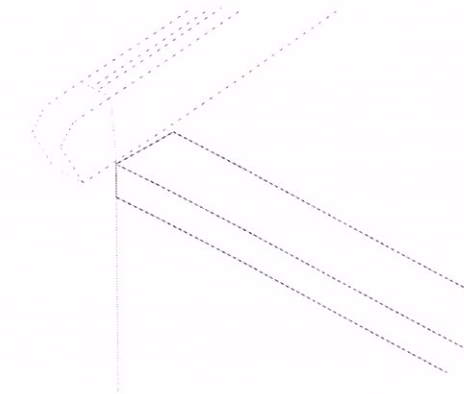
S5 Add-on intermediate support tube

Complete intermediate support tube with stoppers, joints (where present) and intermediate sliders.



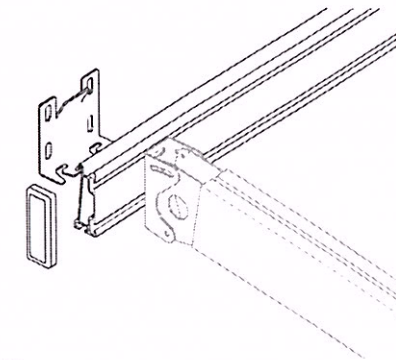
S6 Retractable gutter

Extruded aluminum profile connected to end support tube for rainwater collection, only for pitched versions. One drainage cap per runner.



S16 Frontal beam

Finishing aluminum profile or for the application of closures. Mandatory (additional cost) in order to strengthen the structure with a projection over 157 inches, but not necessary in case frontal Ermetikas are applied.



S17 Wall beam

Aluminum profile for uneven walls, where standard fastening to supports is difficult, or to deal with minor bumps in the wall.