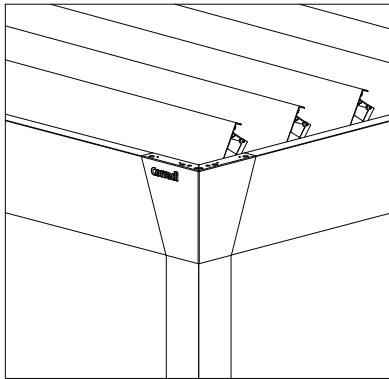


ALBA
TECHNICAL

ALBA FEATURES



Alba is a louvered roof pergola fitted with aluminium blades that can rotate up to 150° using a wireless control to adjust light and ventilation. When completely closed, the roof is waterproof and a gutter system is integrated into the pillars for drainage. Blades are convex and meant to channel water toward the sides even when they are opened after a thunderstorm. Alba's structure is made up of two different profiles: the front one, parallel to the blades (span/width), and the side one, perpendicular to the blades (pivot/projection). Both are always provided with a gutter system and a drip guard that limits water dripping. For more protection you can complete the Alba with Corradi's screens. Alba can be connected up to 236 x 238 inches (double module), with no need of

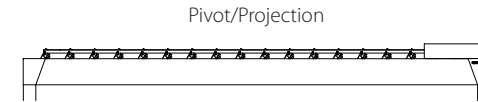
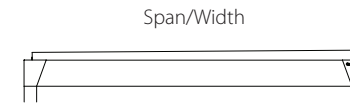
intermediate pillars. Alba's motor, fitted on the Pivot/Projection side, is provided with a protection case that exceeds by 5.1 inches the total height of the structure. If blades are set to fully open position, they remain visible on the exterior side exceeding the total height by 3.7 inches.

Repositioning of a standard pillar along the pivot side is possible (up to 20% of total pivot/projection length maximum).

Available colors:

- White Quartz
- Glacier
- Beach Sand
- Dune
- Granite
- Corten
- Anthracite
- Urban Bronze
- Carbon
- RAL custom colors

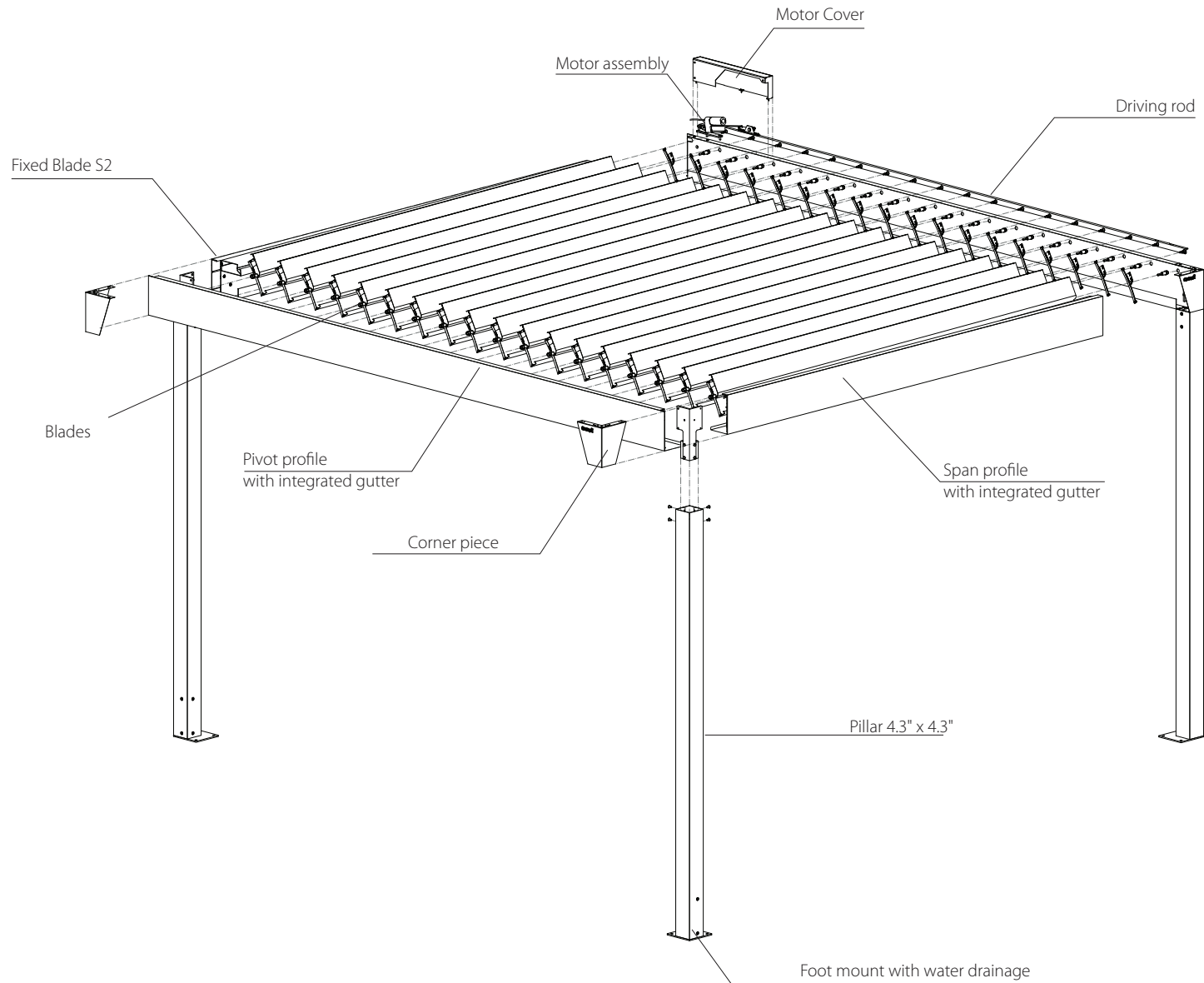
Uses a 24V motor with Somfy RTS Transmitter.



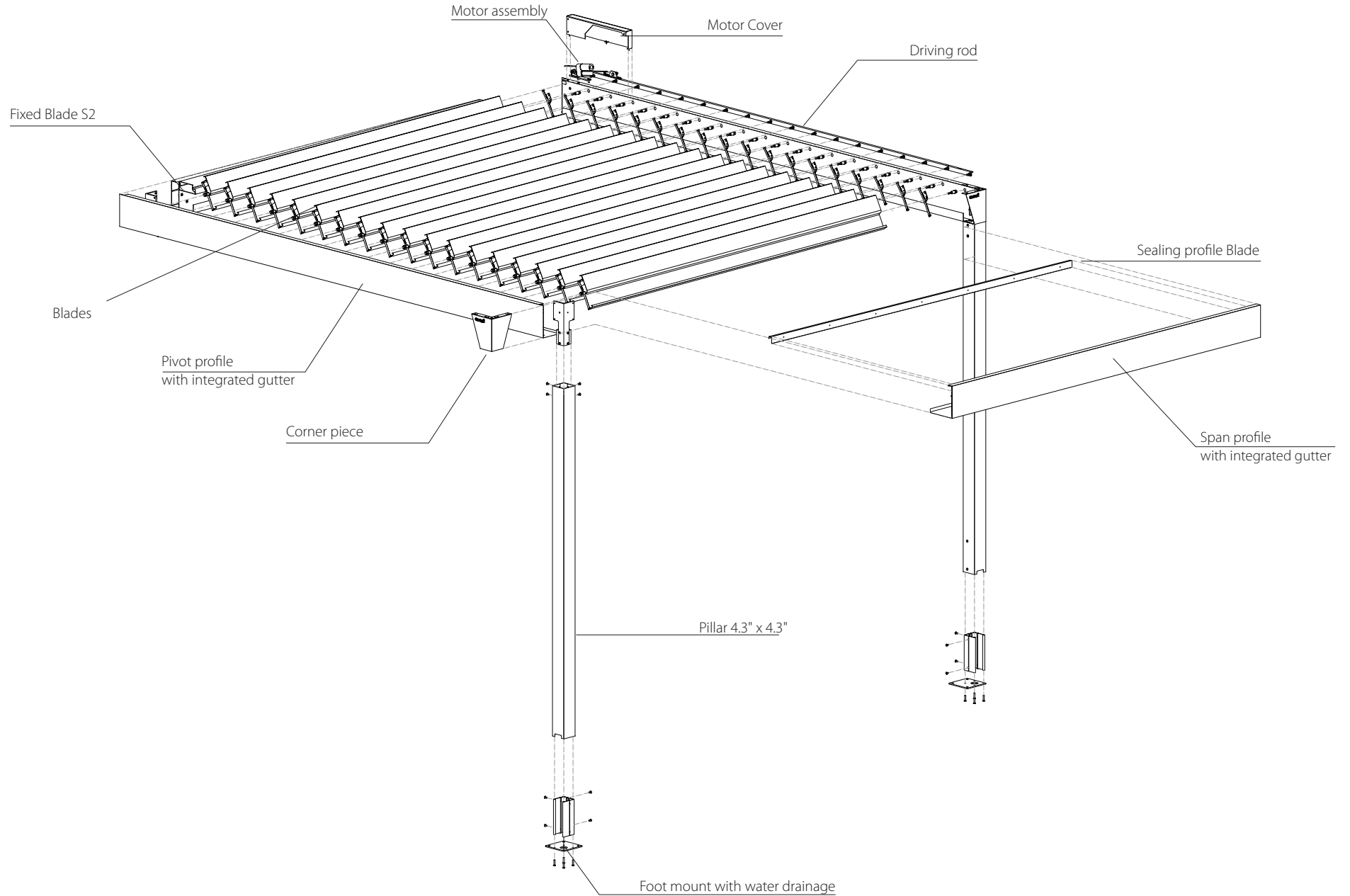
Maximum dimensions inches

	<i>Span/Width</i>	<i>Pivot/Projection</i>
Single module	177	238
Double module	236	238

ALBA FREESTANDING

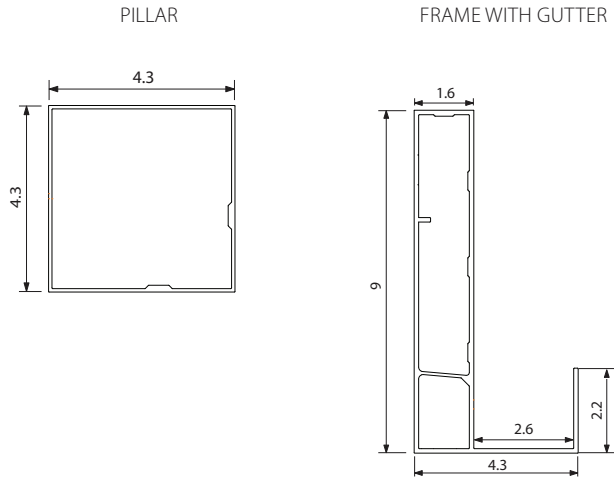


ALBA WALL MOUNTED

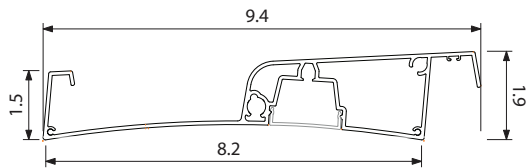


ALBA DIMENSIONS

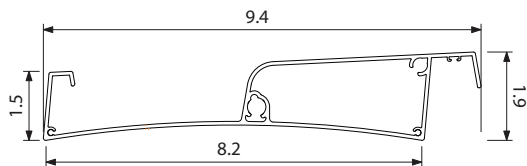
PROFILE SECTION



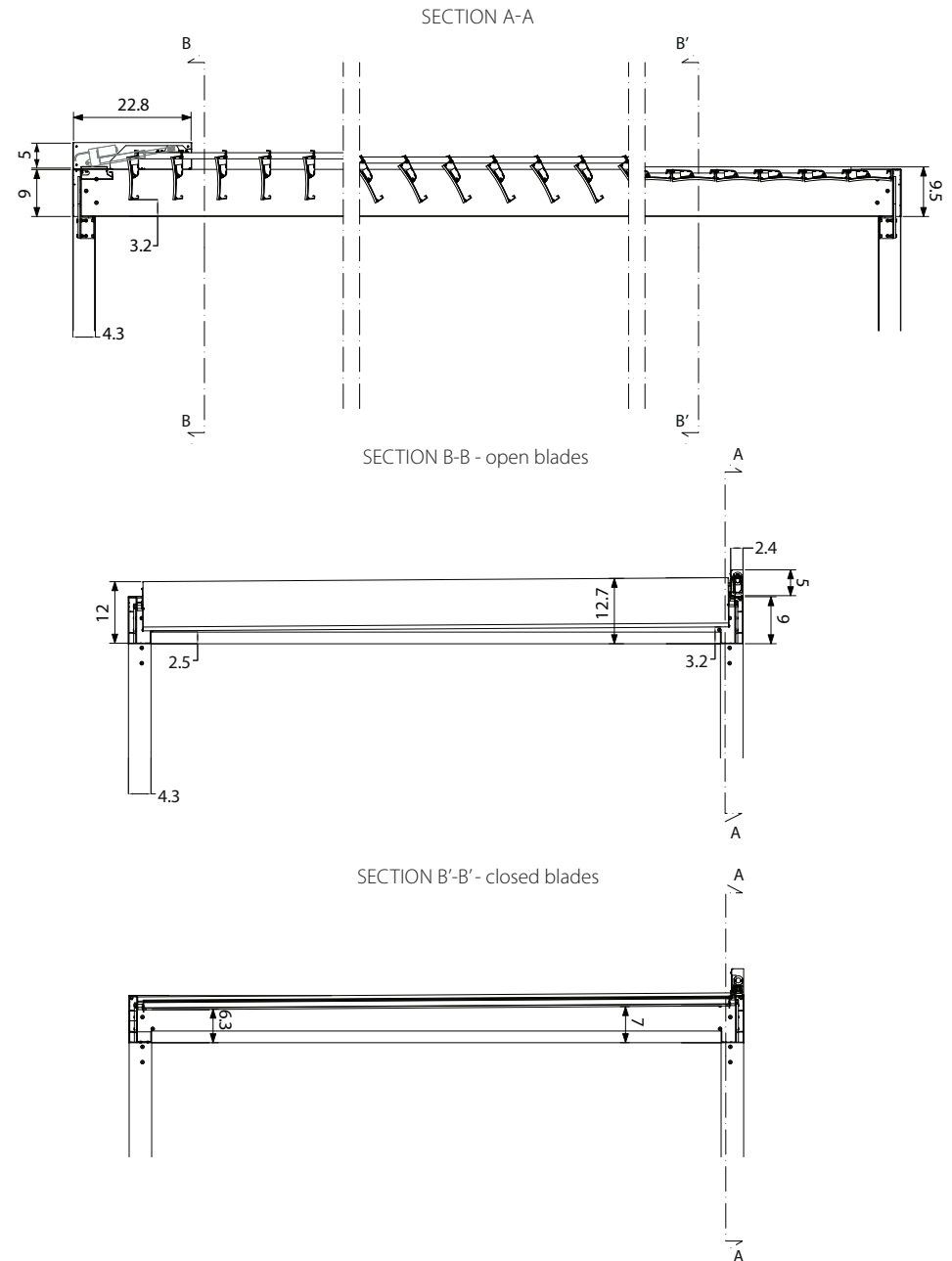
BLADE WITH LED LIGHT



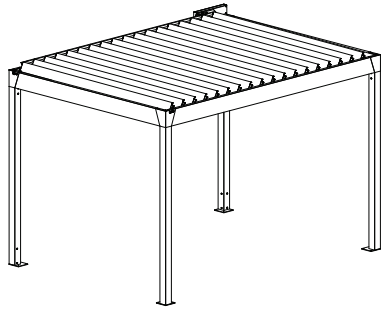
BLADE



Measurements are given in inches

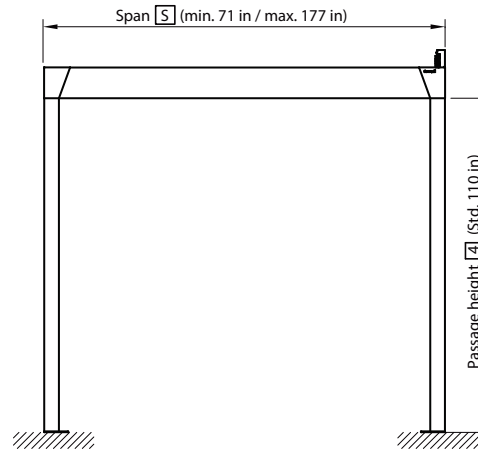


VIEW

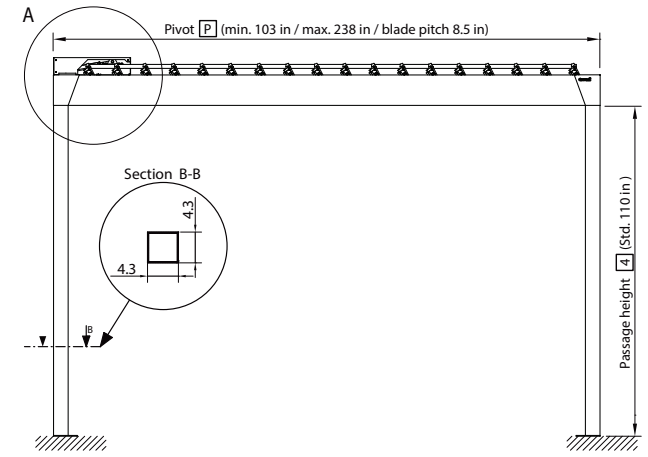


■ Gutter on each Pivot and Span frame profile
Possible water drainage at the bottom of each pillar

SPAN VIEW



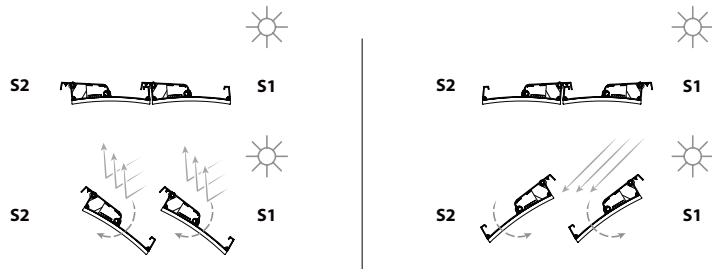
PIVOT VIEW



Blade rotation

The blade can be positioned in two configurations, defined relatively to the front beam.

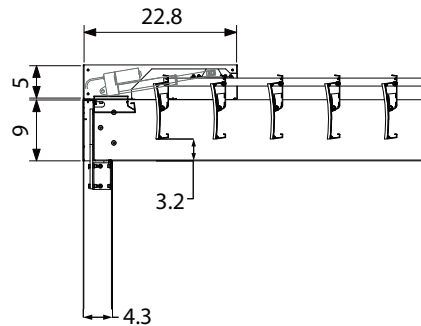
Standard: the blades rotate in the same direction regarding Span side S2.
The blades rotate in a way that the sunlight from the south (Span side S1) will be blocked when opening.



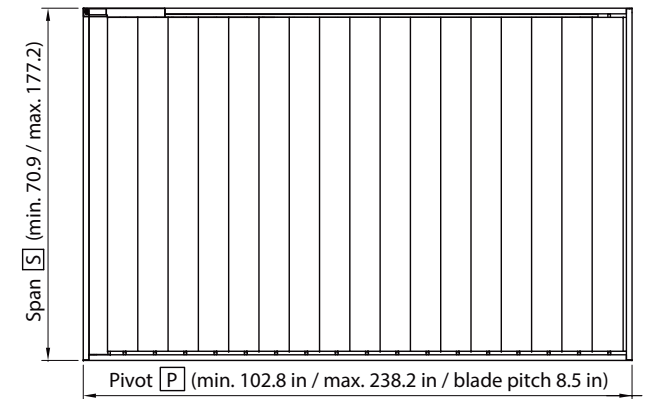
STANDARD SUNPROTECTION:
blocking light while opening the blades

Letting light in while opening the blades.
Only in case of installation type 2,
construction type 1 & 3.

DETAIL A

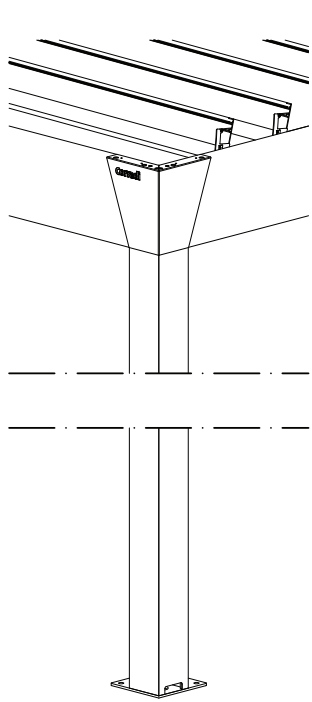


Uses a 24V motor with
Somfy RTS Transmitter.



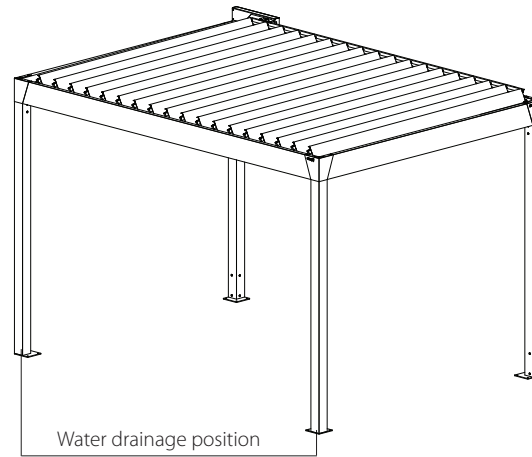
SPAN = Width PIVOT = Projection

Measurements are given in inches



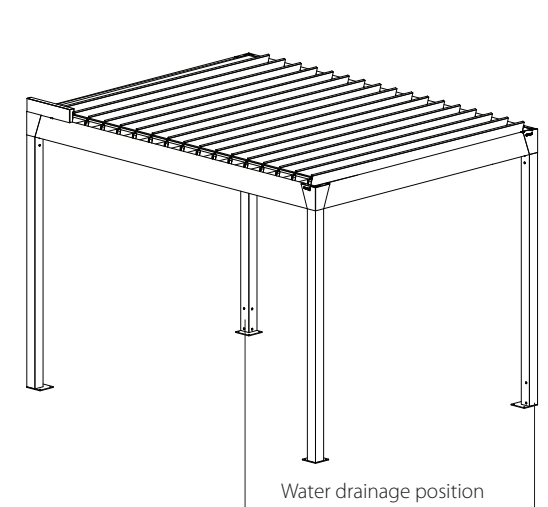
WATER DRAINAGE CHANNEL

MOTOR POSITION - RIGHT SIDE



FRONT VIEW WITH OPEN BLADES

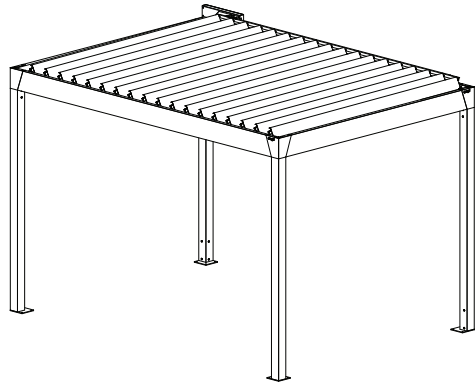
MOTOR POSITION - LEFT SIDE



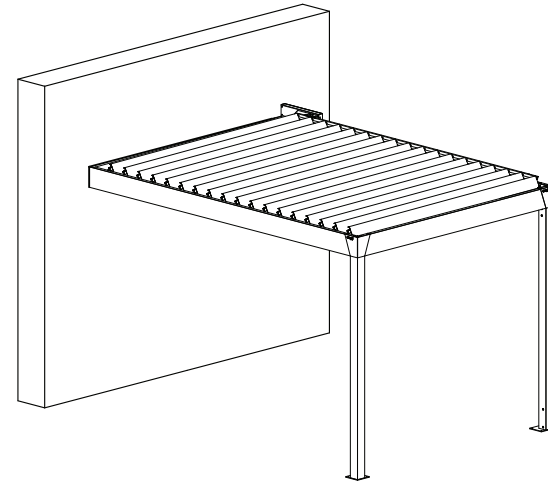
FRONT VIEW WITH OPEN BLADES

Note: drainage positioning - opposite to the motor side.

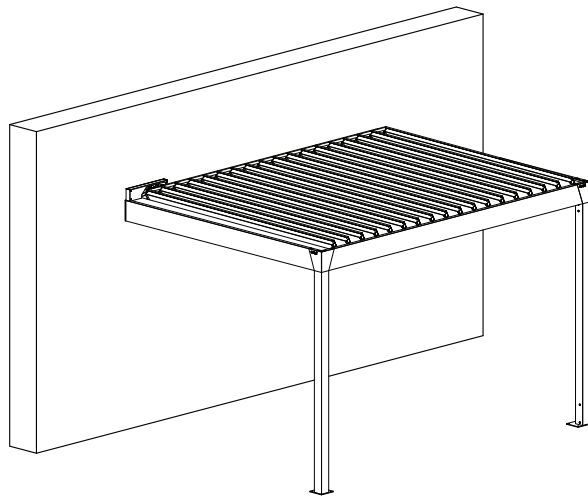
ALBA TYPES OF INSTALLATION 1 AND 2



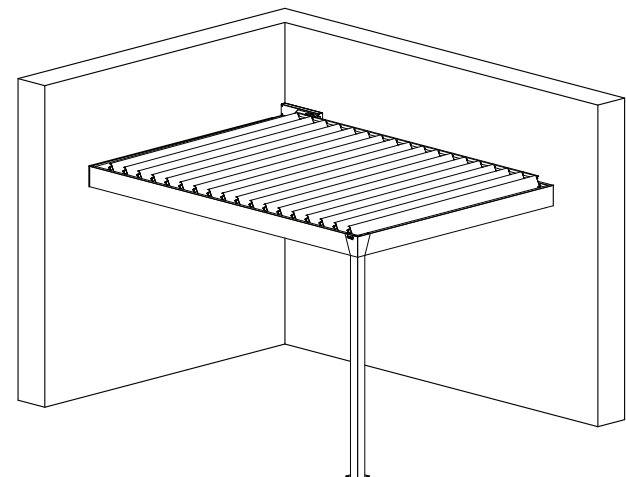
FREESTANDING - SINGLE MODULE



WALL-MOUNTED - SINGLE MODULE

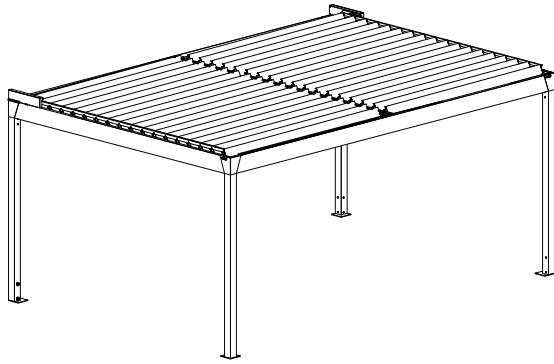


PIVOT-SIDE WALL-MOUNTED-SINGLE MODULE

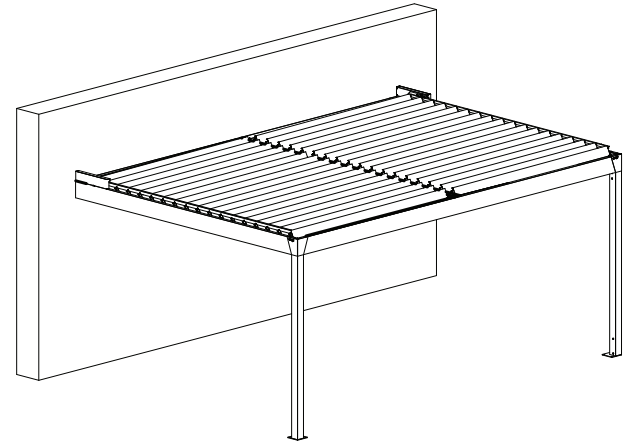


WALL-MOUNTED ON 2 SIDES - SINGLE MODULE

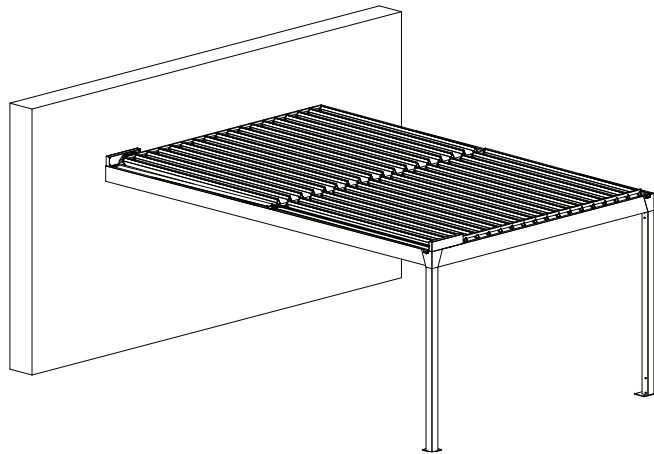
ALBA TYPES OF INSTALLATION 1 AND 2



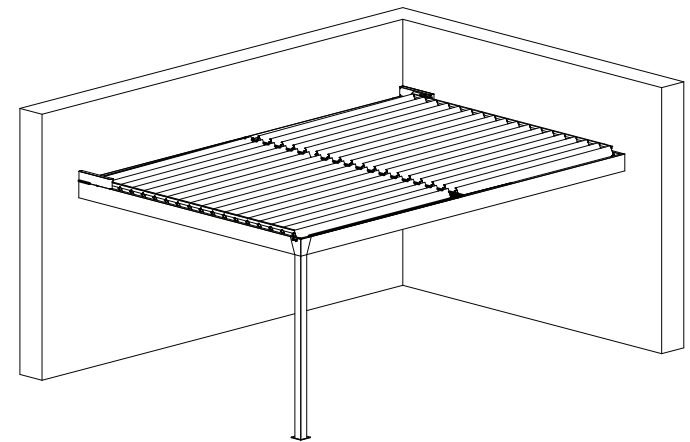
FREESTANDING - COUPLED



WALL-MOUNTED - COUPLED



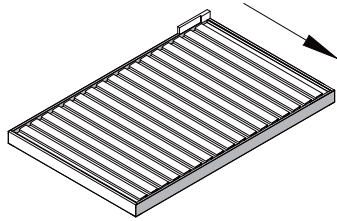
PIVOT-SIDE WALL-MOUNTED - COUPLED



WALL-MOUNTED ON 2 SIDES - COUPLED

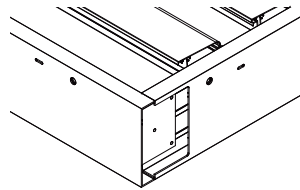
ALBA LIBERTY INTEGRATED DRAWINGS- TYPE OF INSTALLATION 3

Integration – 0 pillars

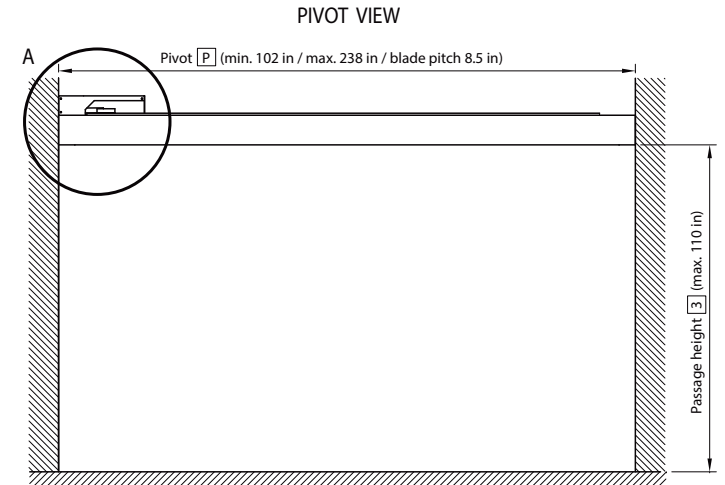
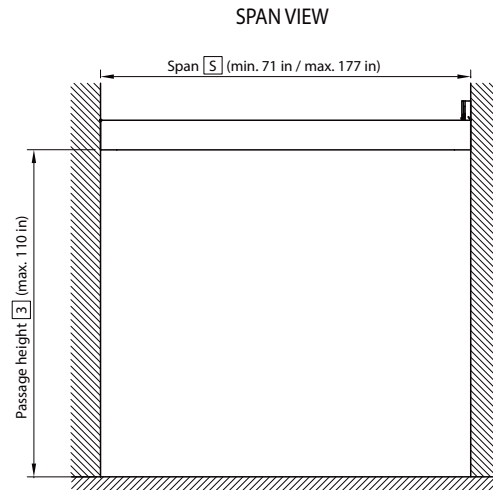
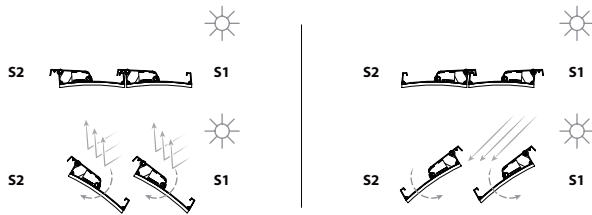


■ Gutter on each Pivot frame profile
Gutter of each Pivot frame profile is located at one end fitted with a leaf trap

CUT-AWAY PIVOT FRAME PROFILE FOR EASY INSTALLATION

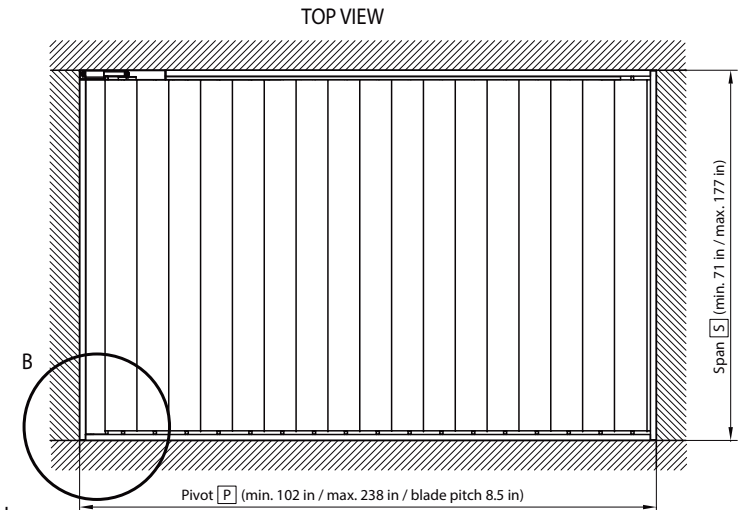
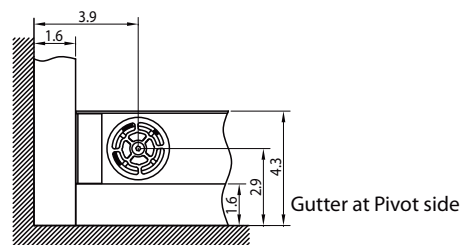


BLADE ROTATION
Refer to page 9 for full description.



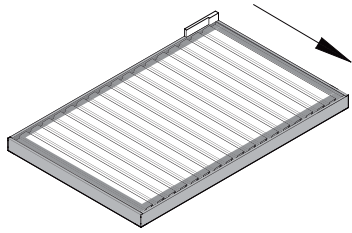
DETAIL A: MOTOR CONTROL

DETAIL B: WATER DRAINAGE



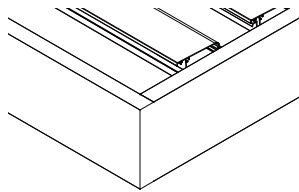
ALBA LIBERTY RESTING DRAWINGS - TYPE OF INSTALLATION 4

Fitted on an open structure – 0 pillars



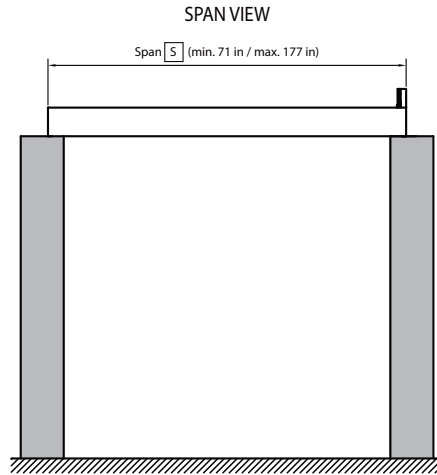
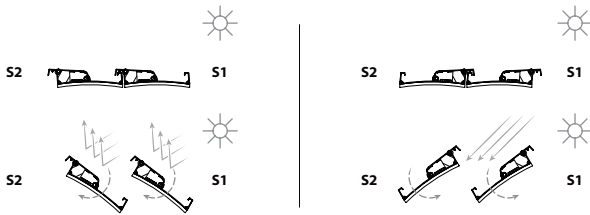
■ Gutter on each Span & Pivot frame profile
At least 2 channels with a leaf catcher

PIVOT FRAME PROFILE WITHOUT CUT-AWAY

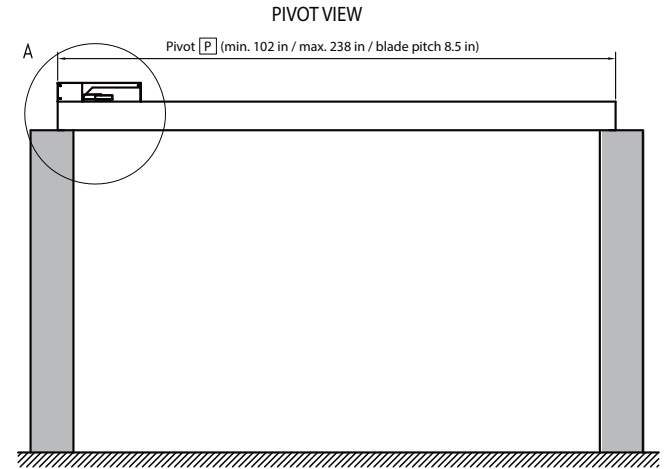


BLADE ROTATION

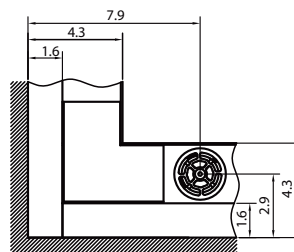
Refer to page 9 for full description.



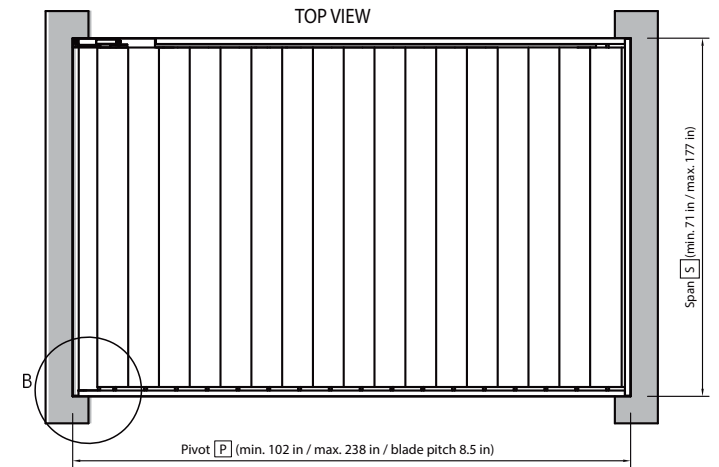
DETAIL A: MOTOR CONTROL



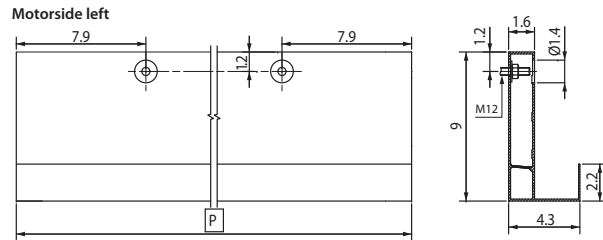
DETAIL B: WATER DRAINAGE



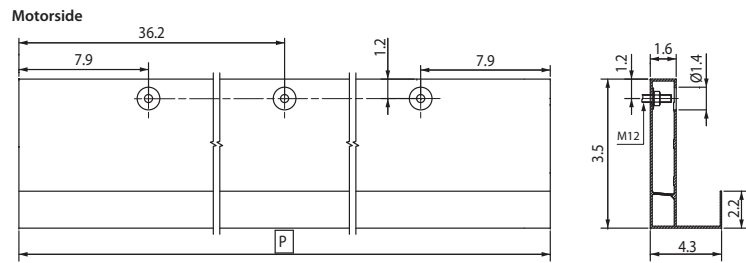
Gutter at
Pivot & Span side



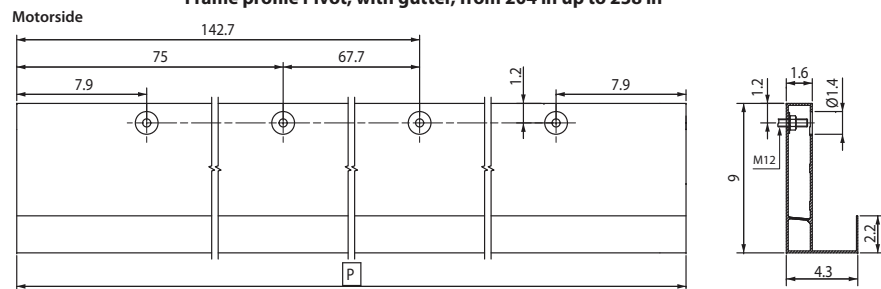
Frame profile Pivot, with gutter, up to 153.5 in



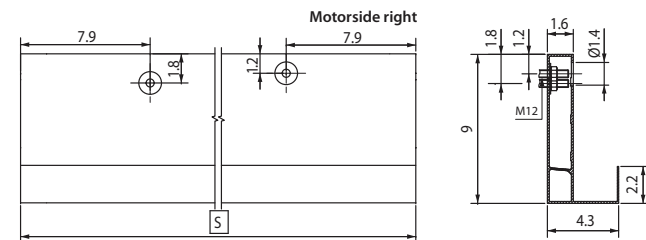
Frame profile Pivot, with gutter, from 162 in up to 196 in



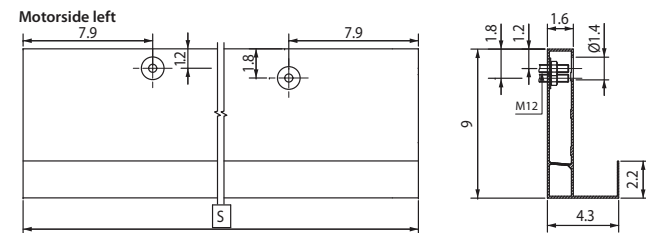
Frame profile Pivot, with gutter, from 204 in up to 238 in



Frame profile Span, with gutter, up to 177 inches



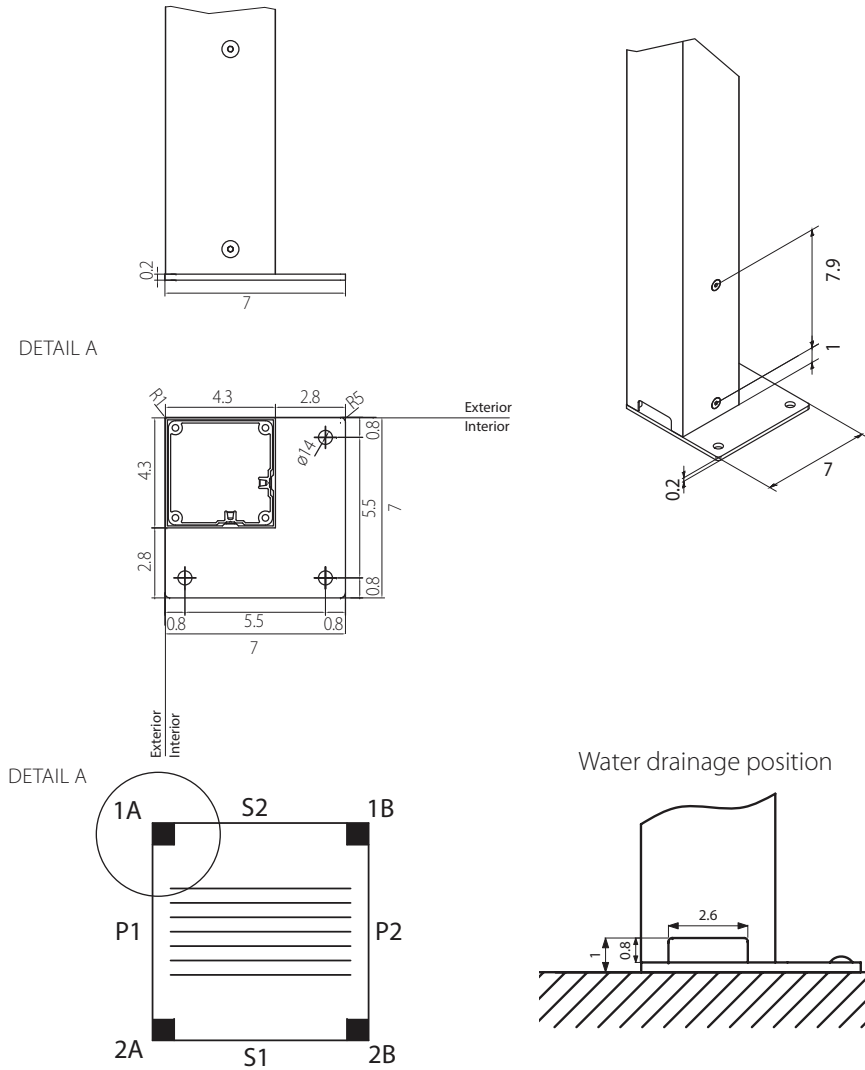
Frame profile Span, with gutter, up to 177 inches



Measurements are given in inches

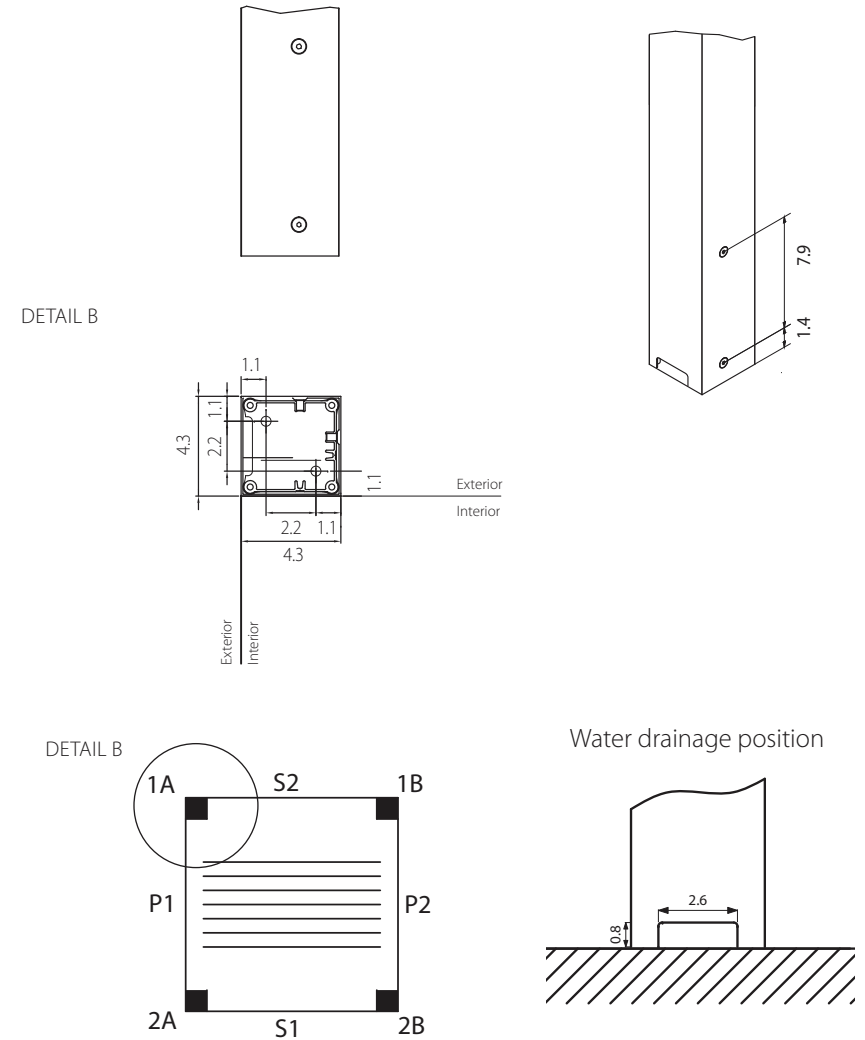
ALBA DRAWINGS TECHNICAL DETAILS

FOOT MOUNT OF A STANDARD PILLAR WITH VISIBLE MOUNTING BASE (STANDARD)

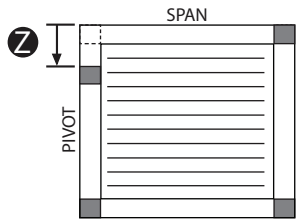


Note: drawings by position 1A
Measurements are given in inches

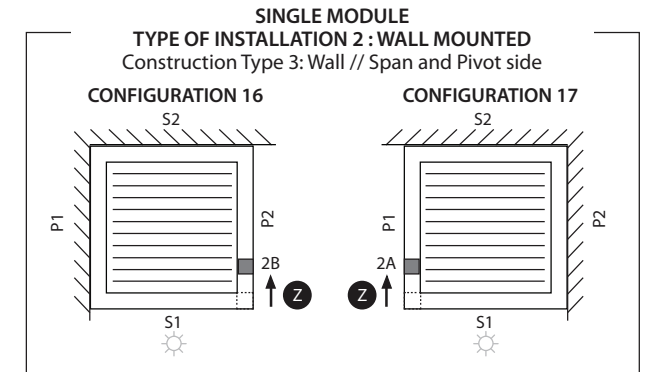
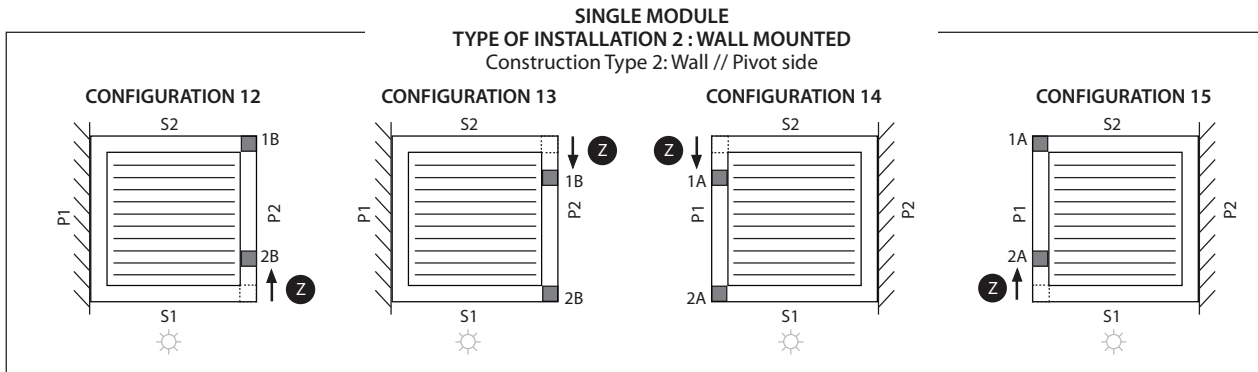
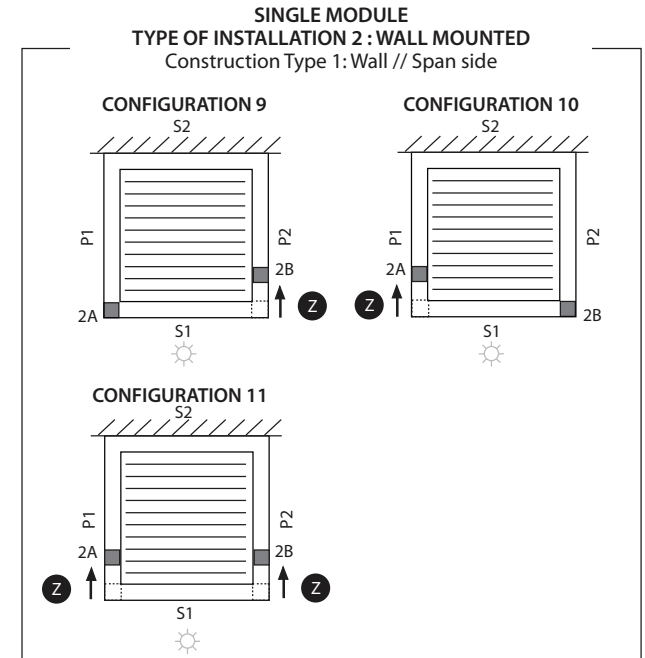
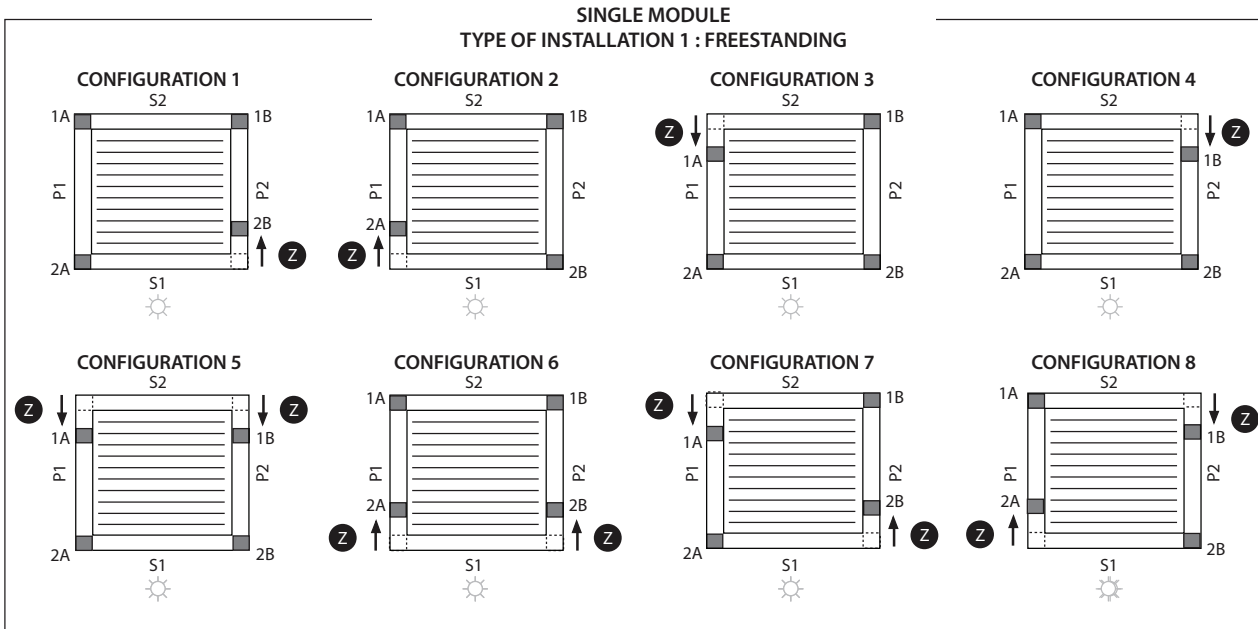
FOOT MOUNT OF A STANDARD PILLAR WITH INVISIBLE MOUNTING BASE (OPTIONAL)



ALBA OPTIONAL: REPOSITIONING OF A STANDARD PILLAR ALONG THE PIVOT SIDE



Z OPTIONAL
= Repositioning of a standard pillar along the pivot side
(MAXIMUM 1/5 OF TOTAL PIVOT)



For configurations that are different from those indicated in the schemes above, please send a request to csr@corradiusa.com

ALBA WEIGHT OF FRAME

		S (SPAN) in																
		71	79	87	94	102	110	118	126	134	142	150	157	165	173	177		
P (PIVOT) in	N° BLADES																	
	103	11	3151	337	357	379	401	421	443	463	485	507	527	549	569	591	602	
		111	12	335	355	377	401	423	445	467	492	514	536	558	580	604	626	637
		120	13	353	375	399	421	445	470	494	518	542	564	589	613	637	661	672
		128	14	370	392	419	443	467	494	518	545	569	595	619	646	670	697	708
		137	15	390	412	439	465	492	518	545	571	597	624	650	677	703	730	745
		145	16	408	430	459	485	514	542	569	597	626	655	681	710	739	765	780
		154	17	428	448	478	507	536	567	595	624	655	683	712	743	772	800	816
		162	18	445	467	498	529	560	591	619	650	681	712	743	774	805	836	851
		170	19	465	485	518	549	582	613	646	679	710	743	774	807	838	871	886
		179	20	483	505	538	571	604	637	672	705	739	772	805	838	873	906	922
		187	21	500	522	558	593	626	661	697	732	767	800	836	871	906	941	959
		196	22	520	540	578	613	650	686	723	758	794	831	866	904	939	977	994
		204	23	538	560	597	635	672	710	747	785	822	860	897	935	972	1010	1030
		213	24	558	578	617	657	694	734	774	811	851	891	928	968	1008	1045	1065
		221	25	575	597	637	677	719	758	798	838	880	919	959	1001	1041	1080	1100
	230	26	595	615	657	699	741	783	825	866	906	948	990	1032	1074	1116	1135	
	238	27	613	635	677	721	763	807	849	893	935	979	1021	1065	1107	1151	1173	

Weight is In lbs

The table above shows the weight of the Alba frame, the weight of the pillars was not taken into account.*

*Each pillar present in the configuration will result in an additional weight of 3 lbs per foot.

Corradi
OUTDOOR LIVING SPACE

[INDEX](#)