



Pergotenda® 45, Combining the warmth of timber and its structural strength with a contemporary sophisticated design, PT45 integrates well with a variety of building finishes, and is the perfect option for veneer or timber homes and buildings.



STANDARD COLOUR CHART

WOOD SYSTEMS (Arko, PT45, PT60, PT100)



Chestnut

*more options available with up-charge

ALUMINUM SYSTEMS (Impact, Iridium, Millenium)



White

Brown



Anthracite

Clear Anodized

*more options available with up-charge

KUBO



White

Brown



Clear Anodized

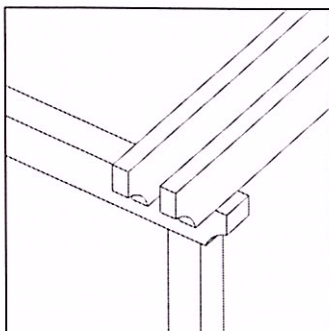
*more options available with up-charge

COMPONENT COLOURS

Canvas and Tubes



PT 45 FEATURES



PT 45 is a retractable cover system custom made to protect against sun and rain (not suitable to support snow), affixed to a supporting wall. It consists of a laminated wood structure and a folding canvas. Pitched versions have guaranteed wind resistance of grade 8 on the Beaufort scale while flat versions have grade 6 resistance (above class 3 - UNI EN 13561). The canvas, made from exclusive Corradi Eclissi* fabric, available in white, grey and ivory, is an opaque laminated PVC and has a side embossed with wett effect. The fabric is supported by intermediate supporting tubes

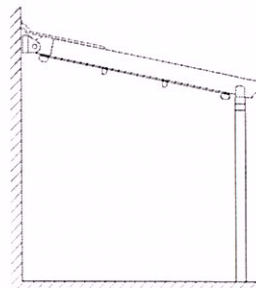
(section: 1.6x2 inches) and terminal bars (section: 3.2x2 inches) set parallel to one another every 24 inches approximately on pitched version and every 20 inches approximately on flat version. The canvas moves by sliding on the runners (section: 2x3.5 inches) on carriers with 6 asymmetrical wheels with a capacity of about 1000 lbs each. The toothed transmission belt has stainless steel cables and resists a saline environment: the tensile strength is of 2000 lbs at break; the transmission belt is inserted in each runner, controlled by the drive pulley and a single drive shaft that guarantees the smooth movement of the canvas.

The PT45 system is set in motion by a radio-controlled motor. The structure, in autoclave treated Scandinavian pine wood (class 3 - UNI EN 335-3), is available in 1.8x4.8 – 1.8x6 – 3.5x3.5 – 3.5x4.8 inches sections with natural finish or in the following colors: chestnut (standard), walnut, anthracite, white, grey, ivory or in RAL color (at an additional price). The aluminum runners, concealed in the wood rafters come in: brown, anthracite, white; the support tubes are available in: white, ivory and grey to match with the Eclissi fabric. The aluminum extrusions are painted with certified Qualicoat cycle epoxy powders.

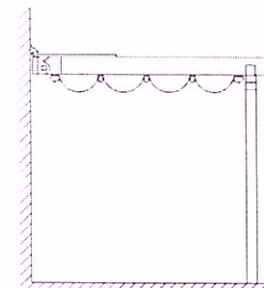
Hardware and accessories are in AISI 304 stainless steel and 10/10 aluminum protection covers in: brown, anthracite, white, grey, ivory and Alusteel.

*See Corradi fabric catalog for other fabrics available.

PITCHED
Version



FLAT
Version



MAXIMUM DIMENSIONS inches

	Width	Projection
2 runners	177	232
3 runners	354	232
4 runners	512	232

MAXIMUM DIMENSIONS inches

	Width	Projection
2 runners	138	236
3 runners	276	236
4 runners	413	236

WOOD IN RAL
COLOR OF
YOUR CHOICE *

* With every supply of PT45 in a RAL color 1 qt. of paint free of charge for future retouching will be supplied.

PT 45 2 RUNNERS

motor

modular awning protective cover

crossbar 1.8 x 4.7 for protective cover support

canvas

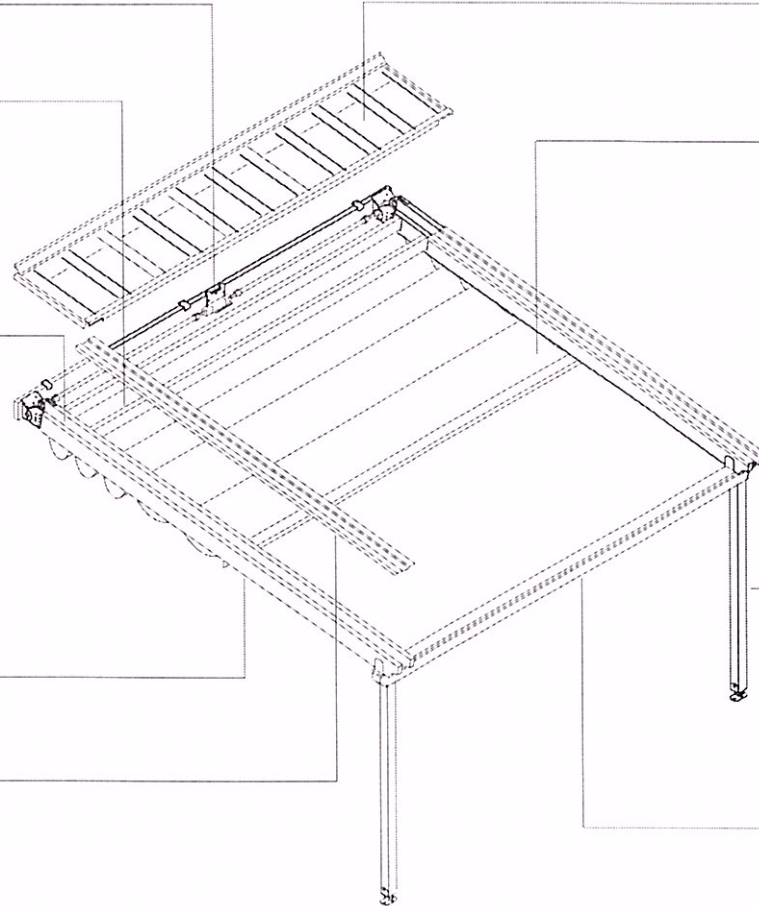
runner

supporting beam pair 1.8 x 6.1

pillar 3.5 x 3.5

runner cover

frontal beam 3.5 x 4.7



PT 45 3 RUNNERS

motor

modular awning protective cover

crossbar 1.8 x 4.7 for protective cover support

runner

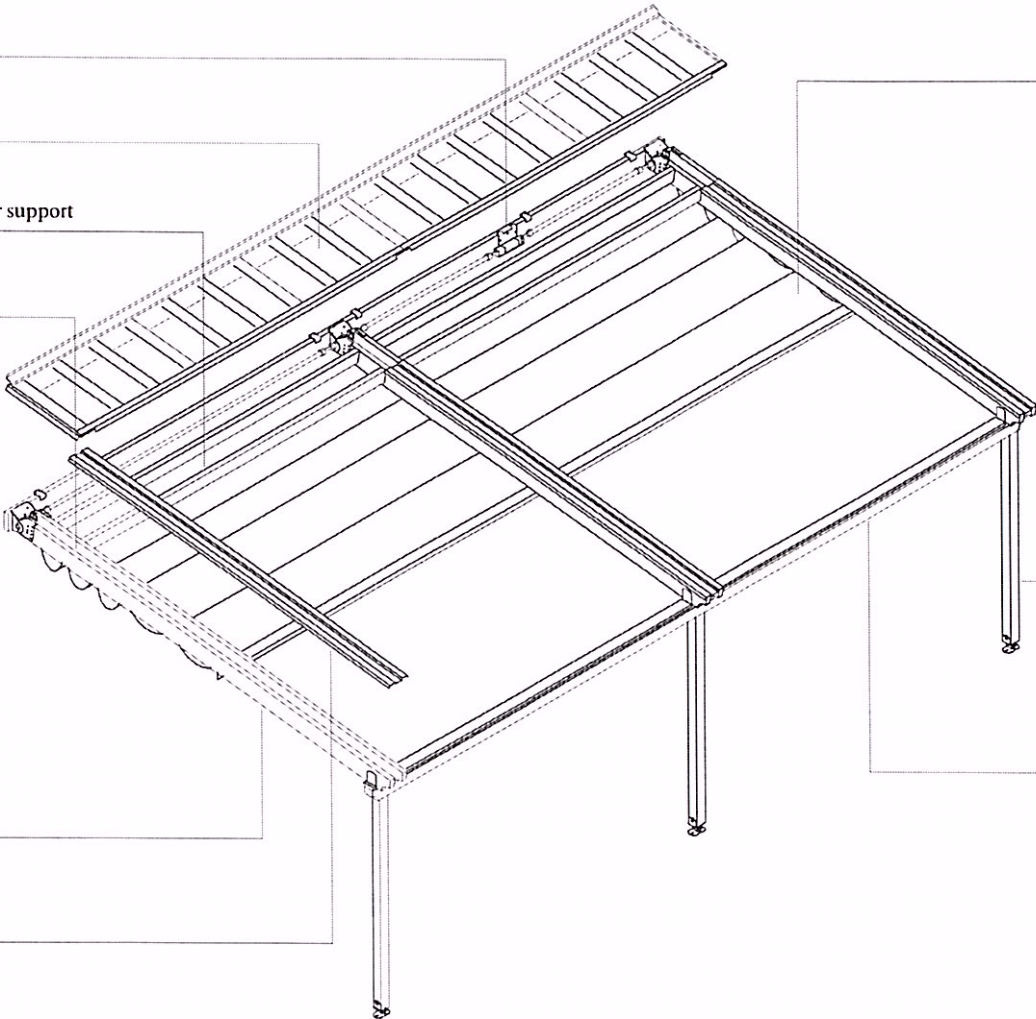
supporting beam pair 1.8 x 6.1

runner cover

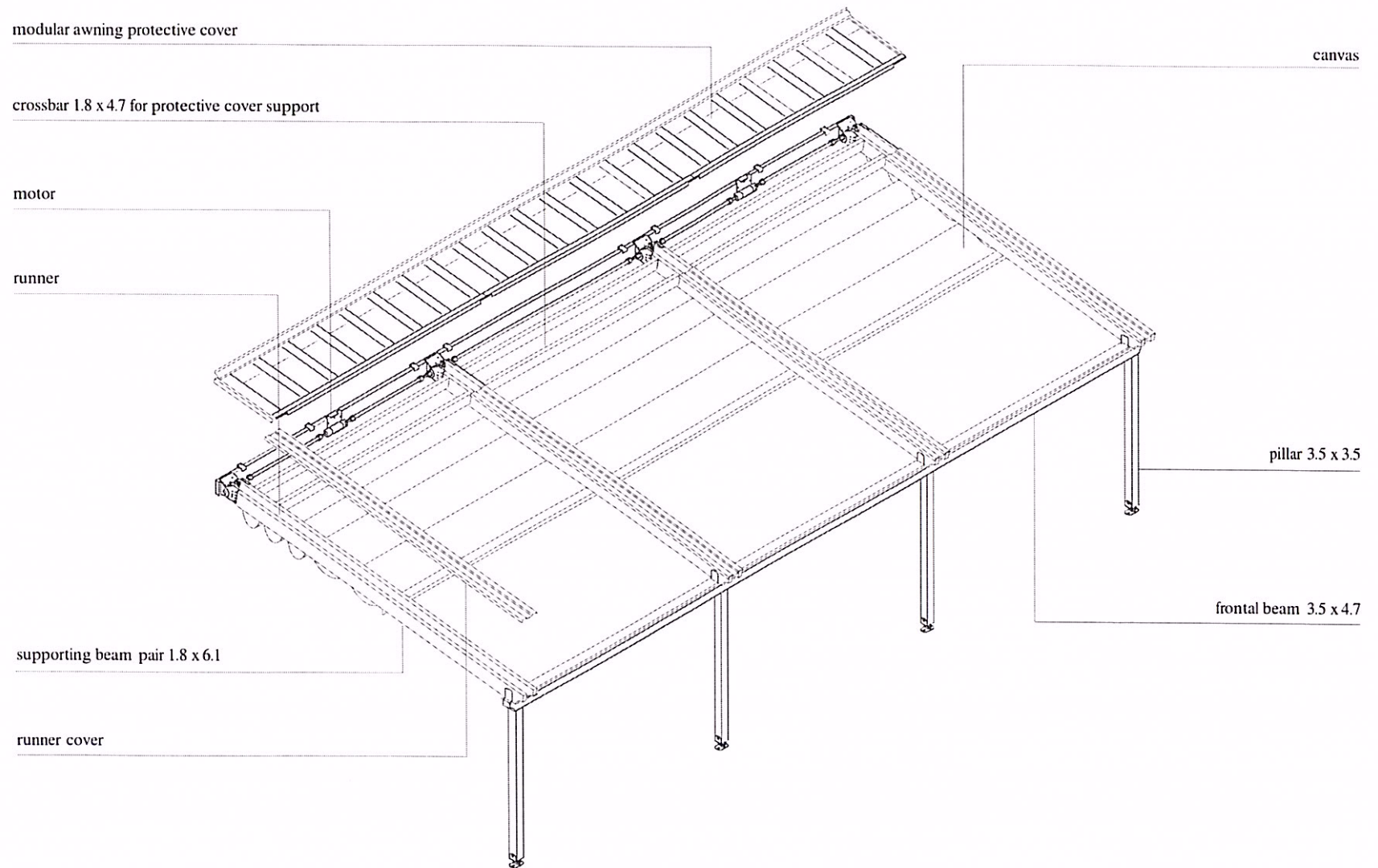
canvas

pillar 3.5 x 3.5

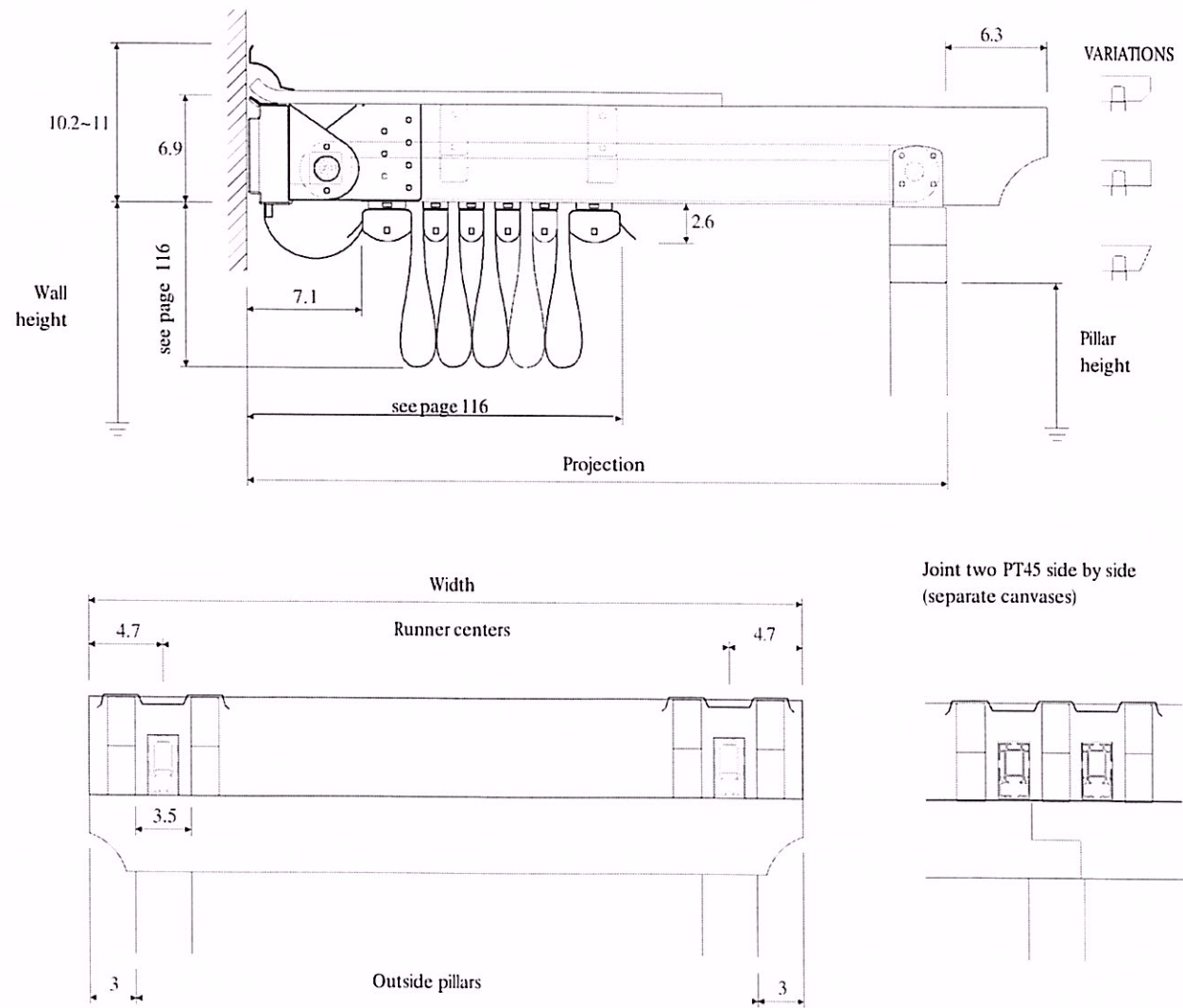
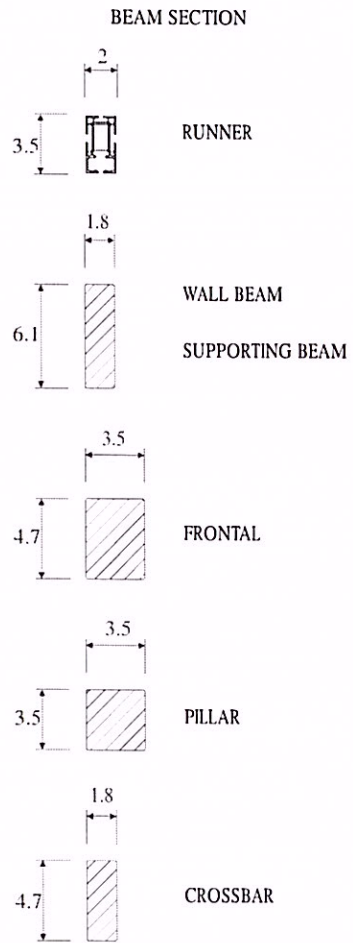
frontal beam 3.5 x 4.7



PT 45 4 RUNNERS

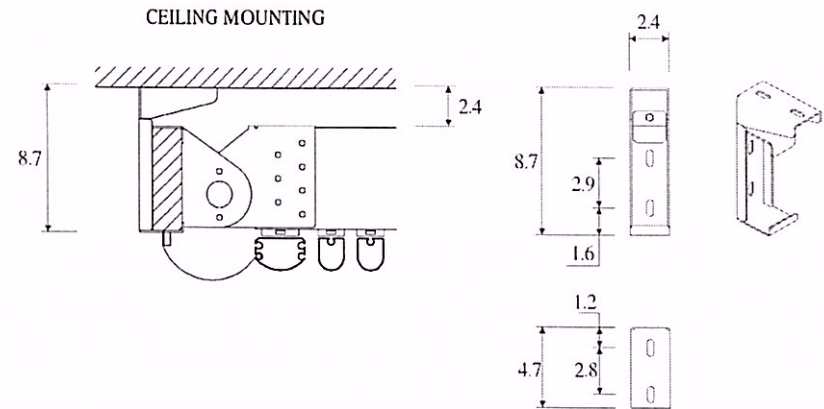
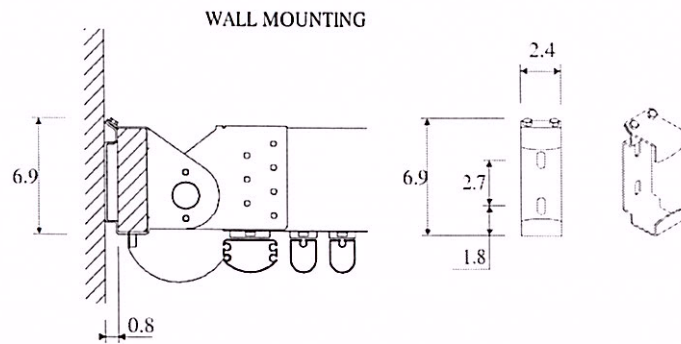


PT 45 DIMENSIONS

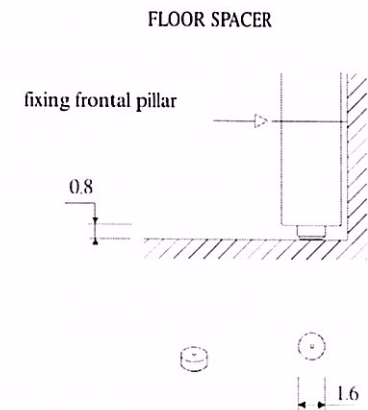
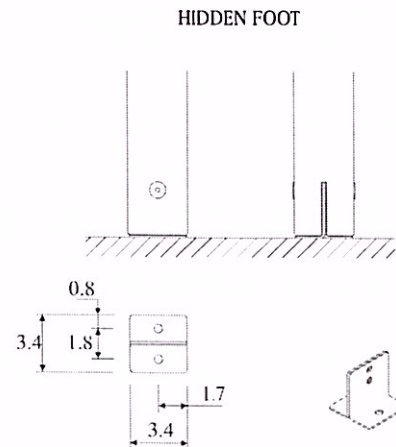
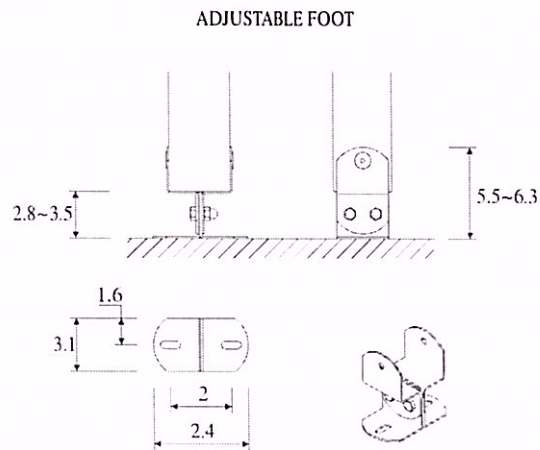


All measurements are given in inches.

PT 45 MOUNTINGS



FLOOR MOUNTING

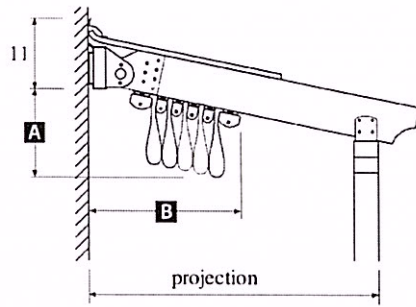


All measurements are given in inches.

PT 45 CANVAS SWAG

Pitched version

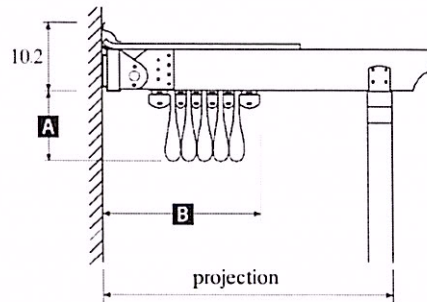
Minimum values of the swag of the folded awning for the pitched version (8.5° angle). The figures written in bold type refer to the canvas swag with standard support tubes and the following refer to the use of additional tubes.



PROJECTION inches	SUPPORT TUBES TOTAL NUMBER											
	3	4	5	6	7	8	9	10	11	12	13	
63	12.6	9.1	7.5									
86		13	10.2	9.1								
110			13.4	11.4	10.2							
133				13.8	12.2	11						
156					14.2	12.6	11.8					
180						14.2	13.4	12.6				
203							14.6	13.8	13			
227								15	14.2	13.8		
232									15.4	14.6	14.2	
	16	19	21	23	26	28	30	33	35	37	39	

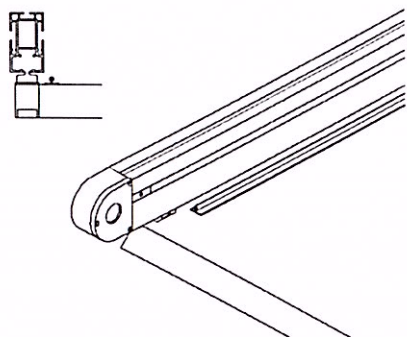
Flat version

Minimum values of the swag of the folded awning for the flat version. The figures written in bold type refer to the canvas swag with standard support tubes with a deflection of 6.7 inches.



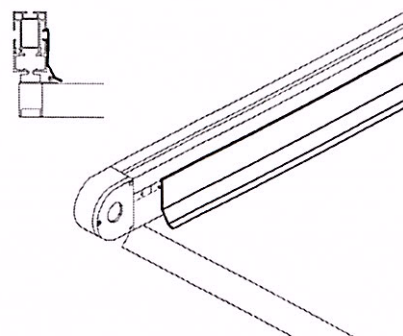
PROJECTION inches	SUPPORT TUBES TOTAL NUMBER									
	4	5	6	7	8	9	10	11	12	13
75	11									
95		11								
115			11							
134				11						
154					11					
174						11				
193							11			
213								11		
233									11	
236										11
	19	22	24	26	29	31	33	36	38	41

All measurements are given in inches.



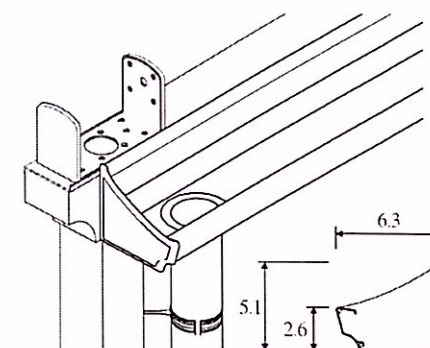
S1 Antidrip system

Weldable pvc profile on the upper part of the canvas for lateral rainwater retention.



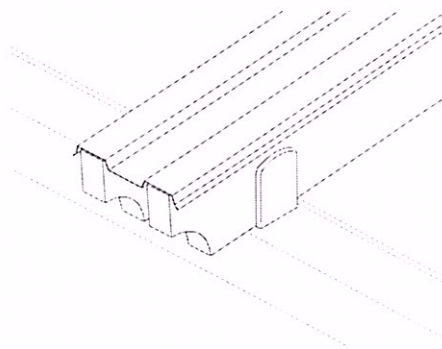
S2 Antispray profile

Pvc profile pressed on the lateral side of the runner for retention of rainwater spray. Always in addition to the antidrip system **S1**



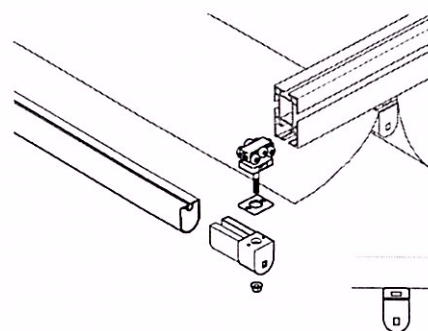
S3 Frontal gutter

Extruded aluminum profile for rainwater collection, only for pitched versions. Down pipes (1 about every 236 inches) and accessories included.



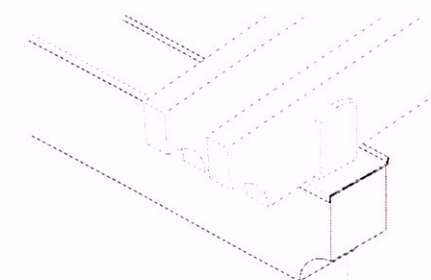
S4 Add-on runner

PT45 runner, includes a pair of supporting beams 1.8 x 6.1 stainless steel supports, Impact runner system, sliders, support tube joints, central transmission shaft with bushings. Pillars excluded.



S5 Add-on intermediate support tube

Complete intermediate support tube with intermediate stopper, joints (where present) and intermediate sliders.



S10 S11 S12 Larger front beam

Increase of frontal beam size up to 4.7 x 4.7, 4.7 x 7.1 or 4.7 x 9.4. In adaptation pillars section 4.7 x 4.7.