



Kubo is the first self supporting, all aluminum Pergotenda® model in the Corradi collection. This patented product features an exclusive design and key technical features, such as eaves and gutters fully built-in and integrated into the structure.



CORRADI USA NEW FRAME COLORS (matte finish)

2016-2017



BEACH SAND



DUNE



GRANITE



CORTEN



URBAN BRONZE



QUARTZ WHITE



GLACIER

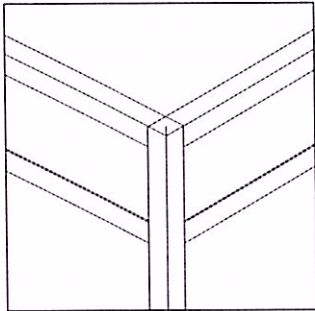


ANTHRACITE



CARBON

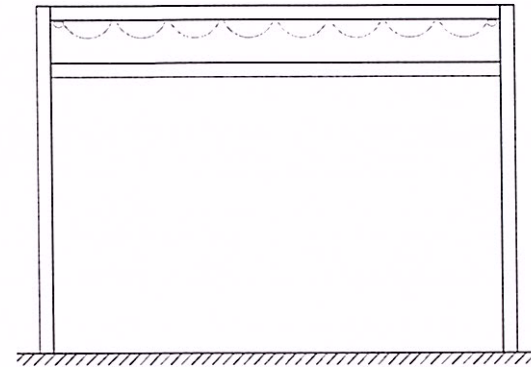
KUBO FEATURES



KUBO is a retractable, self-supporting cover system custom made to protect against sun and rain (not suitable to support snow). It consists of an aluminum structure and a folding canvas. The wind resistance is guaranteed for winds up to force 6 of the Beaufort scale (over class 3 - UNI EN 13561). The canvas, made from exclusive Corradi Eclissi* fabric, available in white, grey and ivory, is an opaque laminated PVC and has a side embossed with weft effect. The fabric is supported by intermediate supporting tubes (section: 1.6 x 2 inches) and terminal bars (section: 3.2 x 2 inches) set parallel to one another every 20 inches approximately. The canvas moves by sliding on the runners (section: 2 x 3.5 inches) on carriers with 6 asymmetrical wheels with a capacity of about 1000 lbs each. The toothed transmission belt has stainless steel cables and resists a saline environment: the tensile strength is of 2000 lbs at break; the transmission belt is inserted in each runner, controlled by the drive pulley and a single drive shaft that guarantees the smooth movement of the canvas. The KUBO system is set in motion by a radio-controlled motor. Aluminum tubular structure 4.8 x 4.8 inches, available in: Alusteel and bronze; the support tubes are available in: white, ivory and grey to match with the Eclissi fabric.

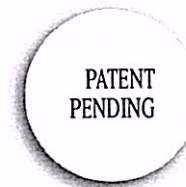
The aluminum extrusions are painted with certified Qualicoat cycle epoxy powders with the exception of Alusteel color, which is obtained through a chemical anodizing process. Perimeter paneling is 0.2" thick, white opal methacrylate. Hardware and accessories are in AISI 304 stainless steel and 10/10 aluminum protection covers in the same color as the structure.

* See Corradi fabric catalog for other available fabrics.

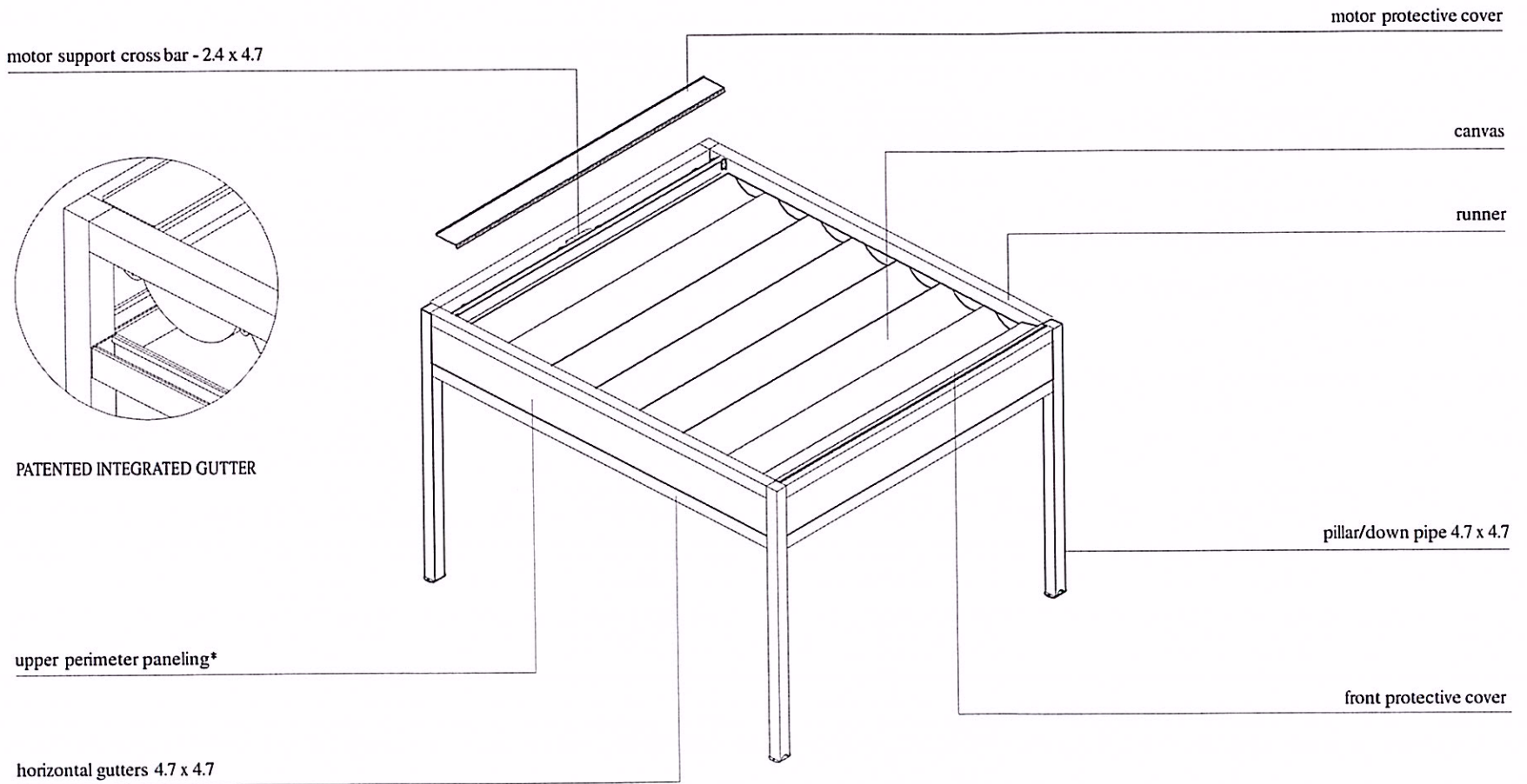


MAXIMUM DIMENSIONS inches

	Width	Projection
2 runners	138	236
3 runners	276	236
4 runners	413	236



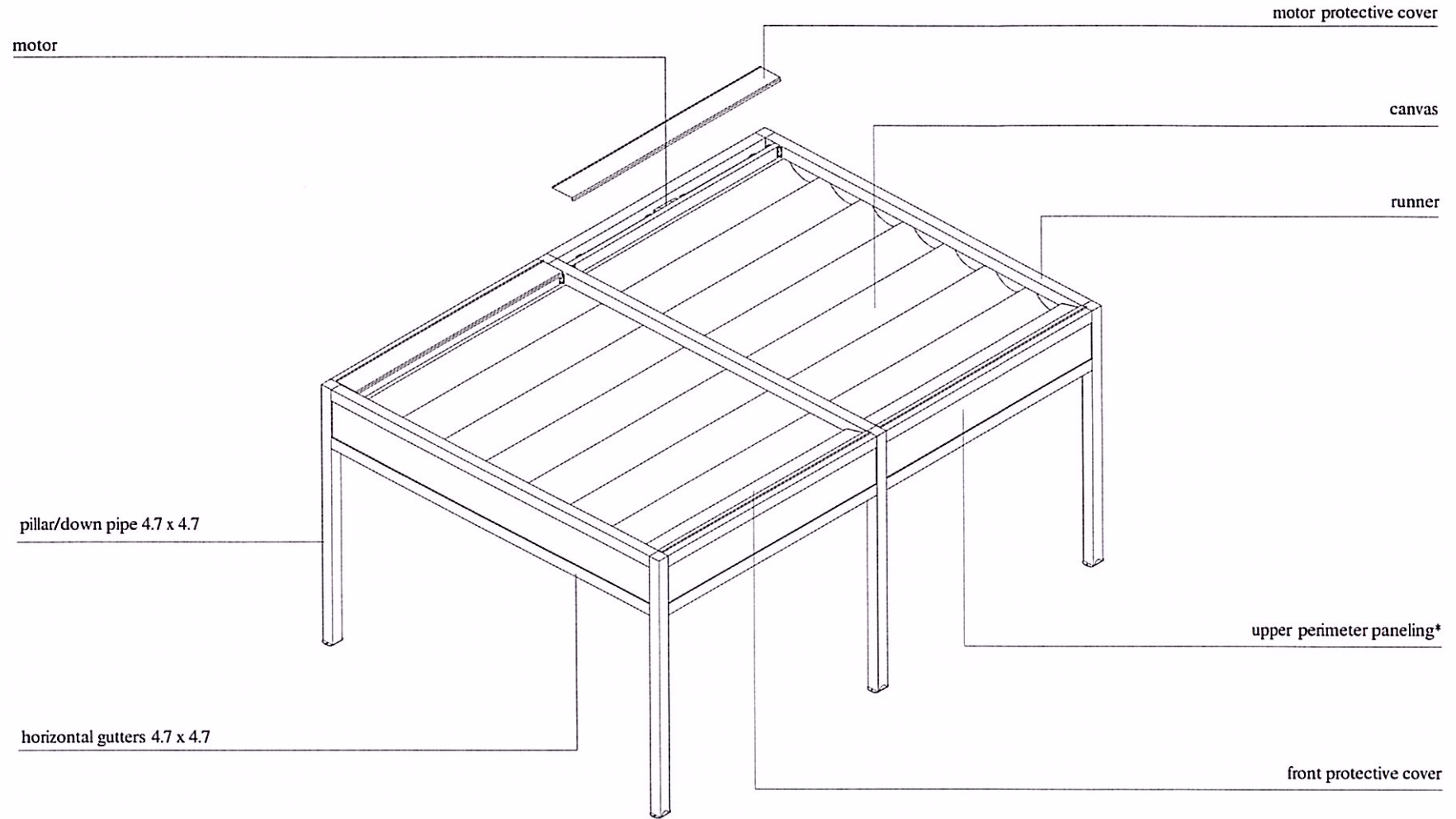
* Bronze (special order)



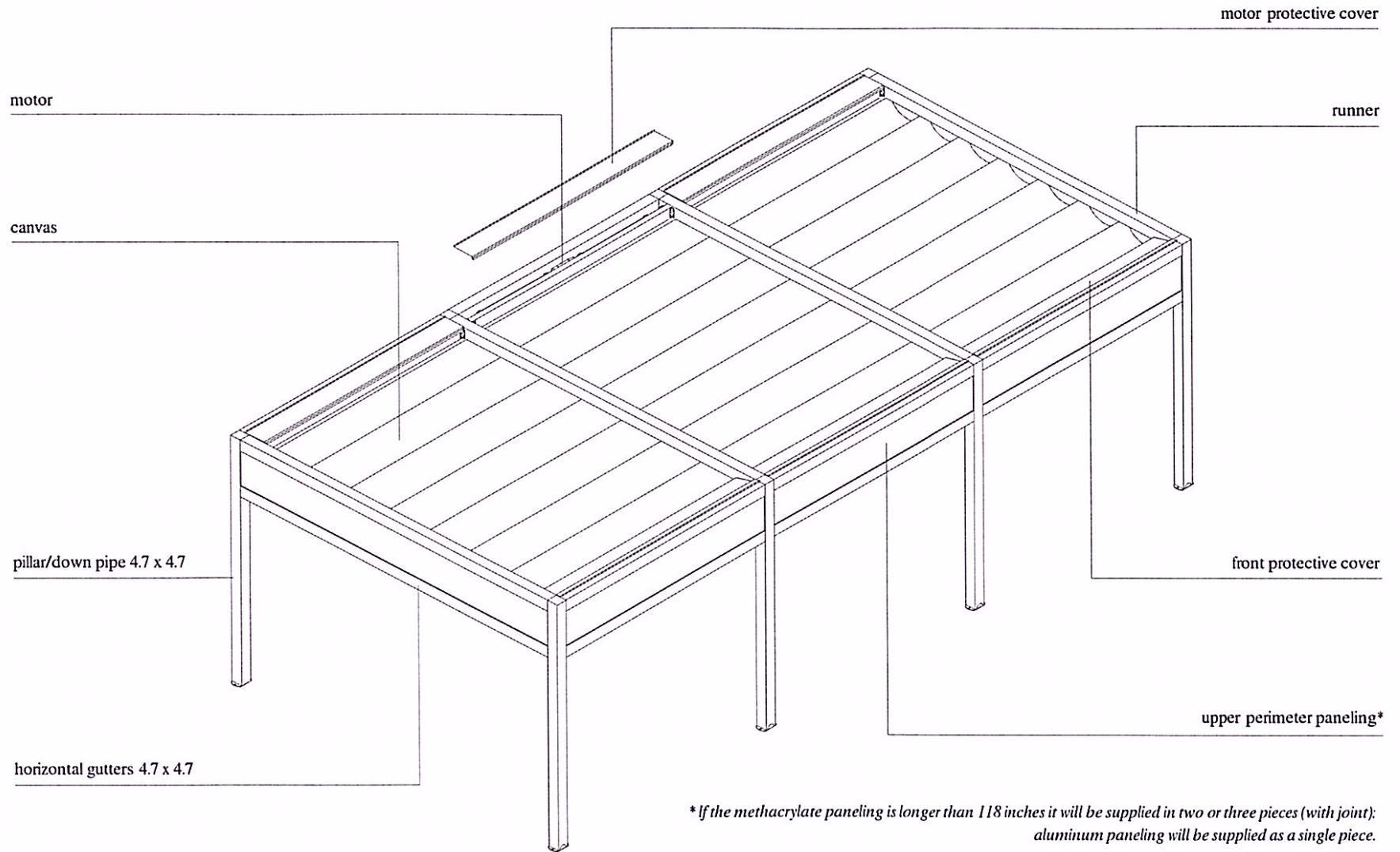
** If the methacrylate paneling is longer than 118 inches it will be supplied in two or three pieces (with joint); aluminum paneling will be supplied as a single piece.*

KUBO 3 RUNNERS

PATENT PENDING

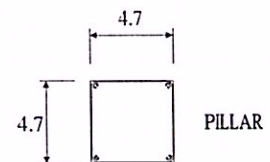
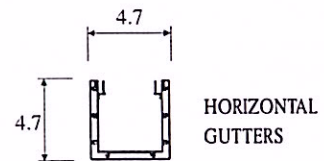
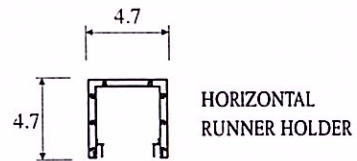
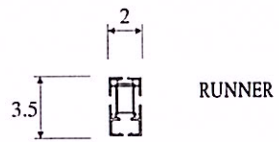


** If the methacrylate paneling is longer than 118 inches it will be supplied in two or three pieces (with joint); aluminum paneling will be supplied as a single piece.*

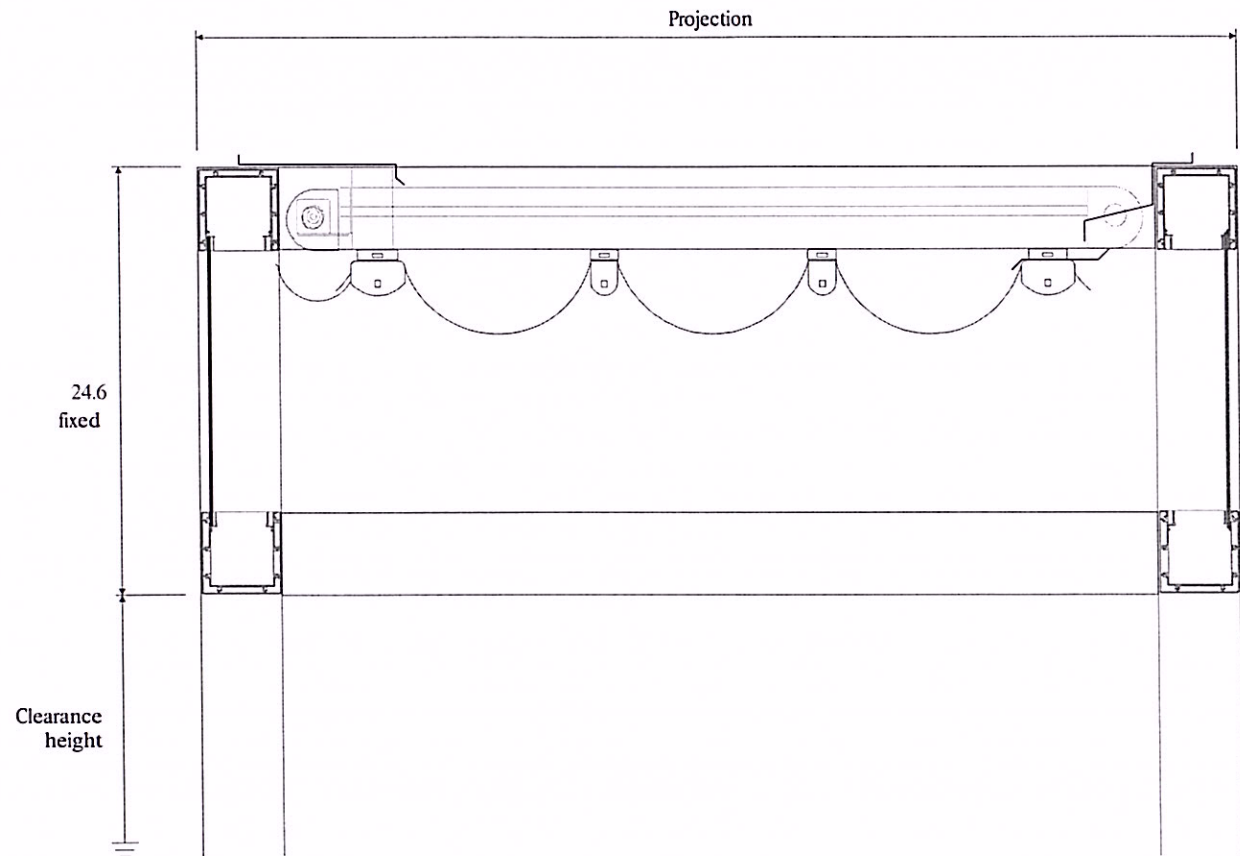


KUBO DIMENSIONS

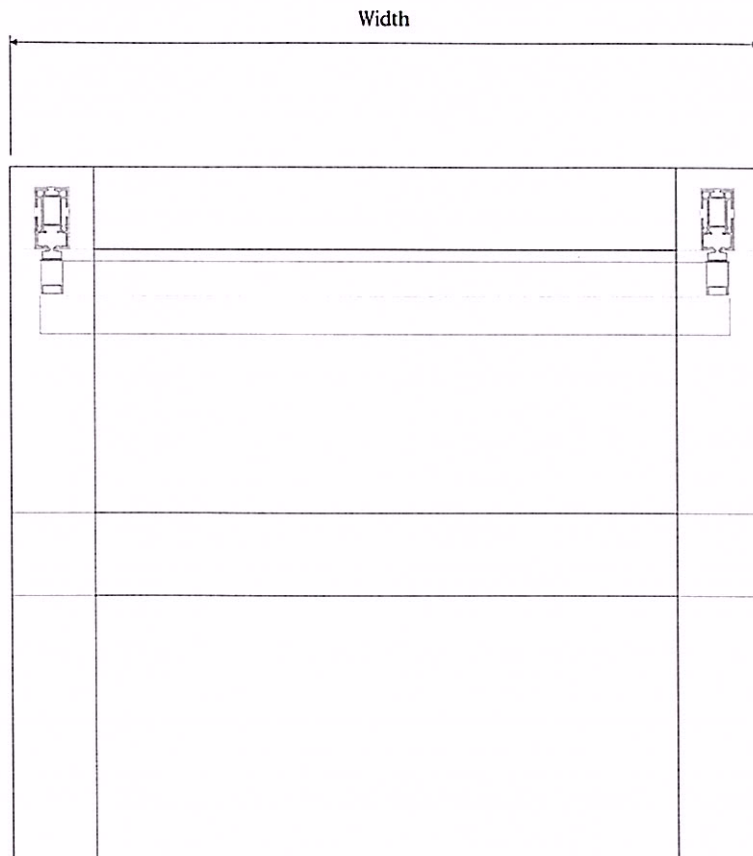
PROFILE SECTIONS



All measurements are given in inches.



KUBO DIMENSIONS & MOUNTINGS



KUBO PILLAR FOOT

